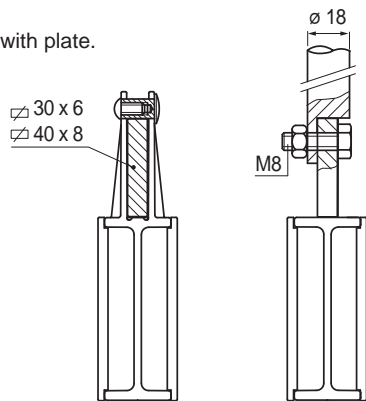
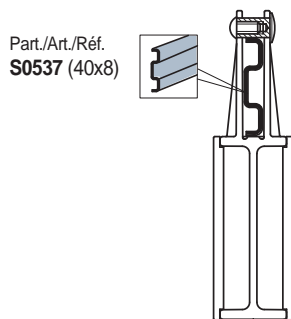


• **Fixing of Part. S0605**
Assembly / disassembly

- Fixing with plate.

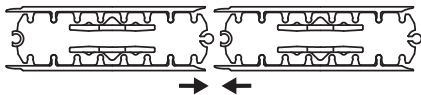


- Fixing with metal profile Part. S0537.



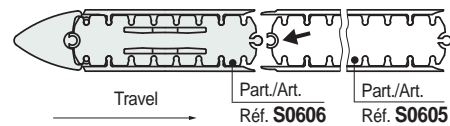
• **Modular system**

The guide consists of modules with snap-on assembly.



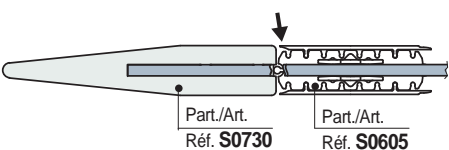
• **Assembly of Part. S0606**

Guide position Part. S0605 to allow assembly with divider module.

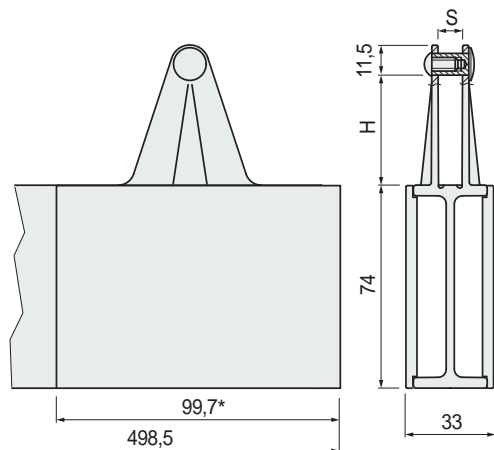


• **Assembly of Part. S0730**

Guide position (Part. S0605) to allow assembly with divider module Part. S0730.



■ **Guide rail (extra flat)**



*= module length

Part. S0605



Sideflexing

Version	H mm	S mm	Code	Weight kg/m
For 30x6 plate	30	6	613622	1,38
For 40x8 plate	40	8	613632	

- Use: glass containers without side load.
- Can be used both straight run and sideflexing.
- Can be used in combination with Part. S0273 - S0356 - S0422 - S0539 - S0639 - S0642.
- Material: frame in acetal POM (black).
- Low friction plates in acetal POM (white).
- Min. curvature radius: 335 mm.
- Standard packaging: strands of 0,498 metres (N 5 modules).
- Packaging: 4,5 metres (N 9 strands).
- Accessories:



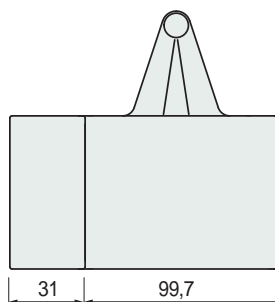
Divider module
Part. S0730



Metal profile
40x8
Part. S0537

Accessories

■ **Metal profile**



Part. S0606



Version	Code	Weight kg
For 30x6 plate	613662	0,19
For 40x8 plate	613672	

- Material: frame in acetal POM (black).
- Low friction plates in acetal POM (white).
- Separation block in polyethylene PE (black).
- Packaging: 2 pieces.

● **Best Seller**

● **Standard**

● **On request:** minimum quantity may apply. Consult our Customer Service for availability.

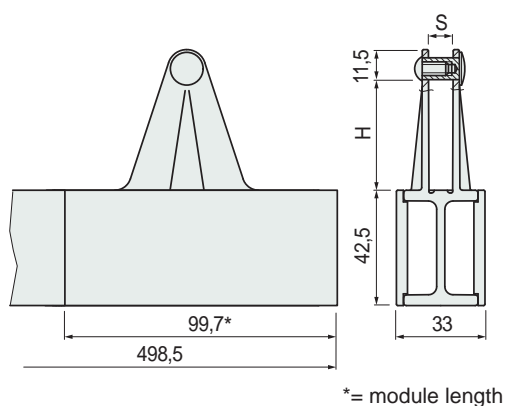
Item code for order = Part. + Code

Part. S0605



Sideflexing

■ Guide rail (extra flat)



*= module length

Version	H mm	S mm	Code	Weight kg/m
For 30x6 plate	30	6	613602	0,96
For 40x8 plate	40	8	613612	

- Use: glass containers without side load. Can be used both straight run and sideflexing.
- Can be used in combination with Part. S0273 - S0356 - S0422 - S0539 - S0639 - S0642.
- Material: frame in acetal POM (black). Low friction plates in acetal POM (white).
- Min. curvature radius: 335 mm.
- Standard packaging: strands of 0,498 metres (N 5 modules).
- Packaging: 4,5 metres (N 9 strands).
- Accessories:



Divider module
Part. S0730



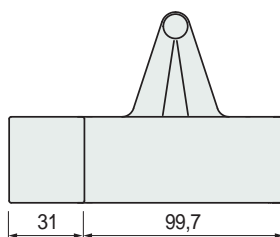
Metal profile
40x8
Part. S0537

Accessories

Part. S0606



■ Metal profile



Version	Code	Weight kg
For 30x6 plate	613642	0,13
For 40x8 plate	613652	

- Material: frame in acetal POM (black). Low friction plates in acetal POM (white). Separation block in polyethylene PE (black).
- Packaging: 2 pieces.

● Best Seller

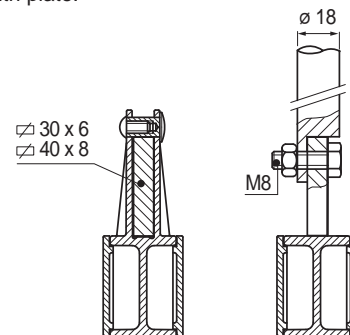
● Standard

● On request: minimum quantity may apply. Consult our Customer Service for availability.

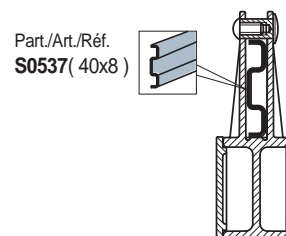
Item code for order = Part. + Code

• Fixing of Part. S0605 Assembly / disassembly

- Fixing with plate.

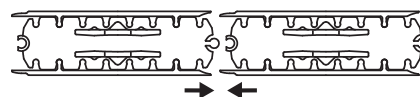


- Fixing with metal profile Part. S0537.



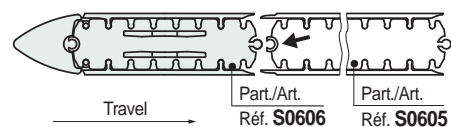
• Modular system

The guide consists of modules with snap-on assembly.



• Assembly of Part. S0606

Guide position Part. S0605 to allow assembly with divider module.



• Assembly of Part. S0730

Guide position (Part. S0605) to allow assembly with divider module Part. S0730.

