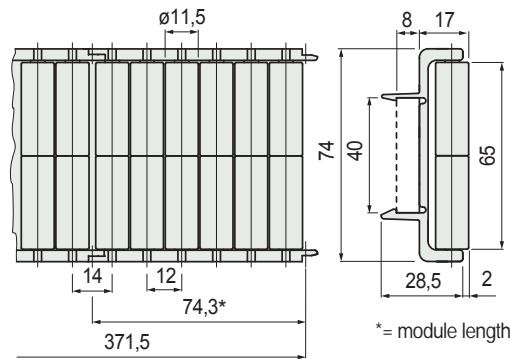


Part. S0581

Roller side guide



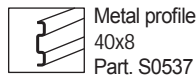
Sideflexing



* = module length

Version	Code	Weight kg
For 40x8 plate	603312	1,01

- Material: frame in acetal POM (black), rollers in Polyethylene PE (white).
- Standard packaging: strands of 0,371 metres (5 modules).
- Packaging: 4,5 metres (12 strands).
- Accessories:

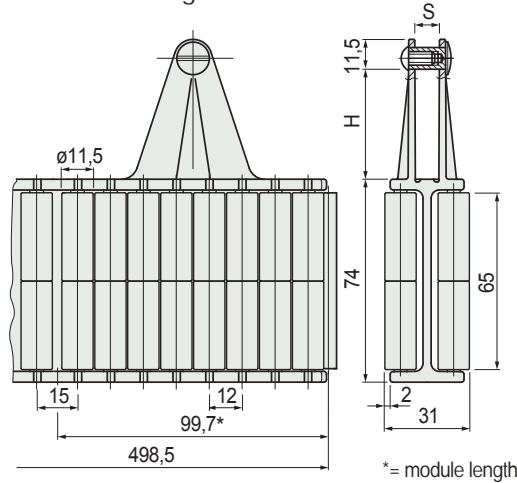


Part. S0585

Centre roller guide



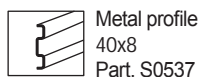
Sideflexing



* = module length

Version	H mm	S mm	Code	Weight kg/m
For 30x6 plate	30	6	603512	2,0
For 40x8 plate	40	8	603522	

- Can be used in combination with Part. S0581.
- Material: frame in acetal POM (black), rollers in Polyethylene PE (white).
- Min. curvature radius: 335 mm.
- Standard packaging: strands of 0,498 metres (5 modules).
- Packaging: 4,5 metres (9 strands).
- Accessories:



● Best Seller

● Standard

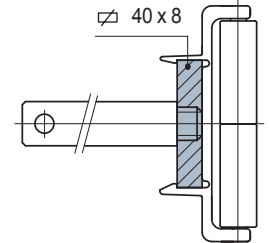
● On request: minimum quantity may apply. Consult our Customer Service for availability.

Item code for order = Part. + Code

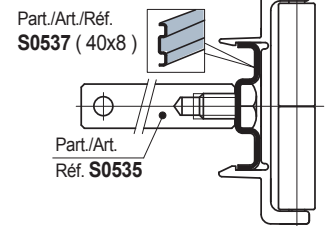
- Use of Part. S0581- S0585
For thin walled and delicate containers (like aluminium cans, PET bottles, decorated card-board).

- Fixing of Part. S0581
Snap-on assembly / disassembly

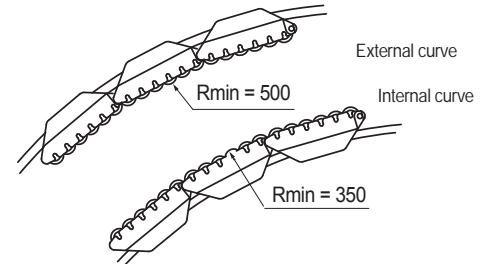
- Fixing with plate.



- Fixing with metal profile Part. S0537.

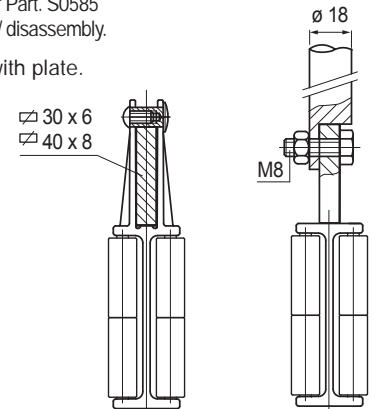


- Min. curvature radius Part. S0581

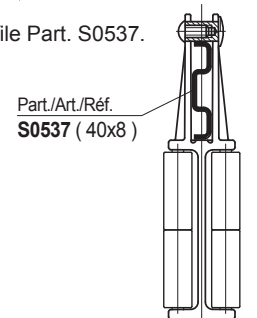


- Fixing of Part. S0585
Assembly / disassembly.

- Fixing with plate.



- Fixing with metal profile Part. S0537.



- Modular system Part. S0581 - S0585
The guide consists of modules with snap-on assembly.

