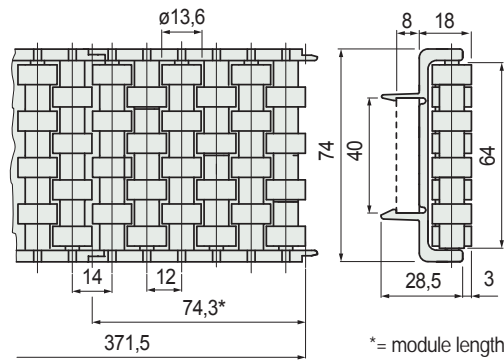


Part. S0580

Roller side guide

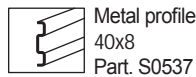


Sideflexing



Version	Code	Weight kg
For 40x8 plate	603292	0,99

- Material: frame in Acetal POM (black), rollers in Acetal POM (white).
- Standard packaging: strands of 0,371 metres (5 modules).
- Packaging: 4,5 metres (12 strands).
- Accessories:

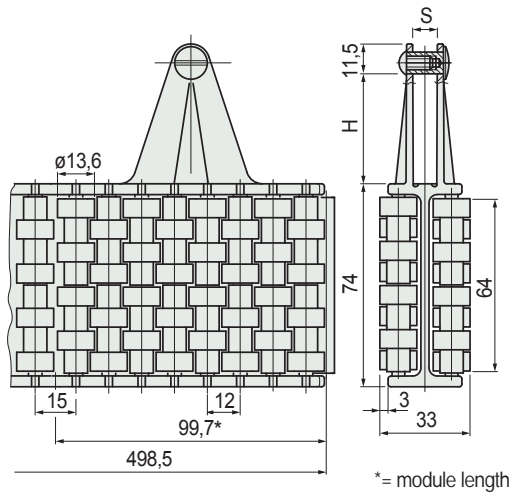


Part. S0557

Centre roller guide

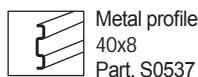


Sideflexing



Version	H mm	S mm	Code	Weight kg/m
For 30x6 plate	30	6	603472	1,96
For 40x8 plate	40	8	603482	

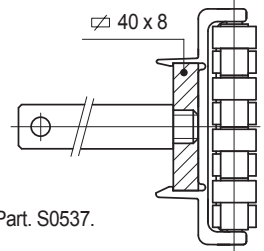
- Can be used in combination with Part. S0580.
- Material: frame in Acetal POM (black), rollers in Acetal POM (white).
- Min. curvature radius: 335 mm.
- Standard packaging: strands of 0,498 metres (5 modules).
- Packaging: 4,5 metres (9 strands).
- Accessories:



- Use of Part. S0580 - S0557 For medium strength containers (tin cans, glass, strong aluminium cans).

- Fixing of Part. S0580 Snap-on assembly / disassembly

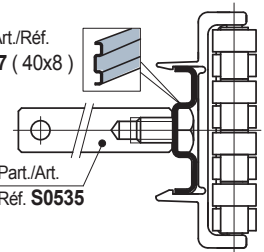
- Fixing with plate.



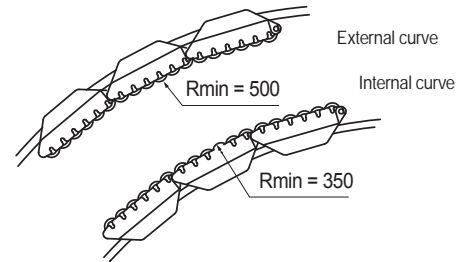
- Fixing with metal profile Part. S0537.

Part./Art./Réf. S0537 (40x8)

Part./Art. Réf. S0535

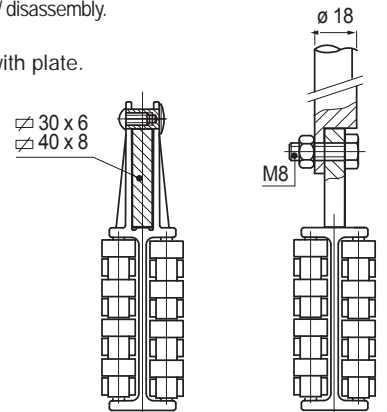


- Min. curvature radius Part. S0580



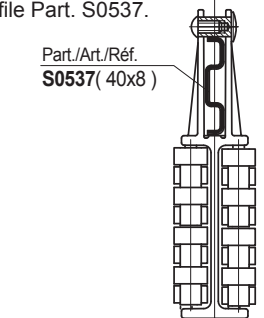
- Fixing of Part. S0557 Assembly / disassembly.

- Fixing with plate.

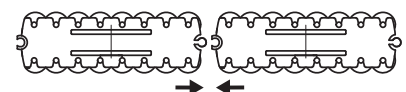


- Fixing with metal profile Part. S0537.

Part./Art./Réf. S0537(40x8)



- Modular system Part. S0580 - S0557 The guide consists of modules with snap-on assembly.



Best Seller

Standard

On request: minimum quantity may apply. Consult our Customer Service for availability.

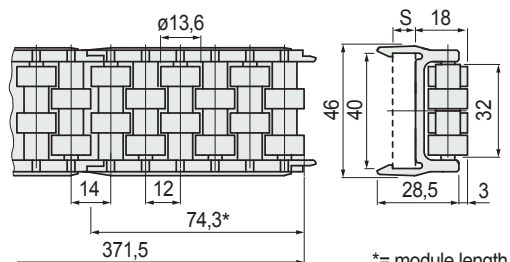
Item code for order = Part. + Code

Part. S0580

Roller side guide



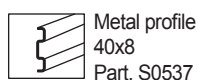
Sideflexing



*= module length

Version	S mm	Code	Weight kg/m
For 40x8 plate	8	603302	0,61
For 40x10 plate	10	611772	

- Material: frame in Acetal POM (black), rollers in Acetal POM (white).
- Standard packaging: strands of 0,371 metres (5 modules).
- Packaging: 4,5 metres (12 strands).
- Accessories:

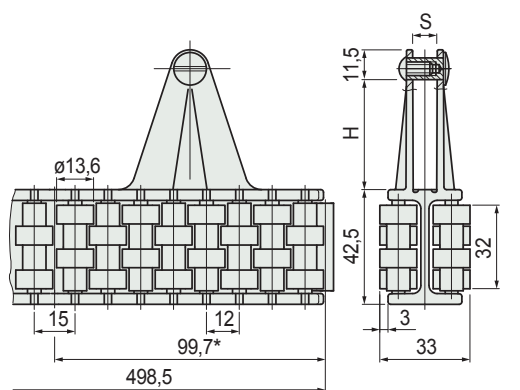


Part. S0557

Centre roller guide



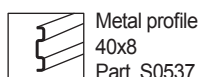
Sideflexing



*= module length

Version	H mm	S mm	Code	Weight kg/m
For 30x6 plate	30	6	695501N	1,22
For 40x8 plate	40	8	695991N	

- Can be used in combination with Part. S0580.
- Material: frame in Acetal POM (black), rollers in Acetal POM (white).
- Min. curvature radius: 335 mm.
- Standard packaging: strands of 0,498 metres (5 modules).
- Packaging: 4,5 metres (9 strands).
- Accessories:



Best Seller

Standard

On request: minimum quantity may apply. Consult our Customer Service for availability.

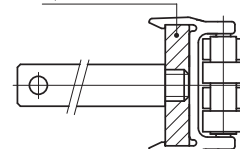
Item code for order = Part. + Code

Fixing of Part. S0580

Snap-on assembly / disassembly

- Fixing with plate.

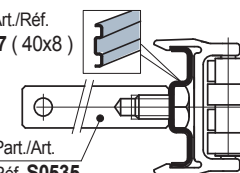
40 x 8
40 x 10



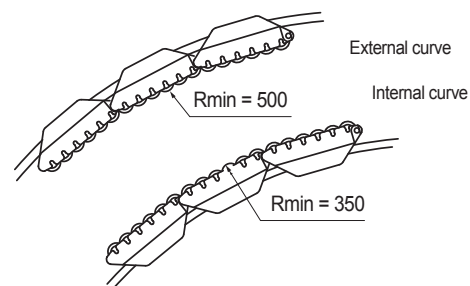
- Fixing with metal profile Part. S0537.

Part./Art./Réf.
S0537 (40x8)

Part./Art.
Réf. S0535



Min. curvature radius Part. S0580

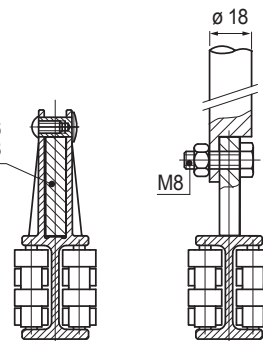


Fixing of Part. S0557

Assembly / disassembly.

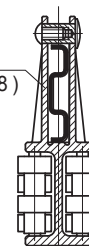
- Fixing with plate.

30 x 6
40 x 8



- Fixing with metal profile Part. S0537.

Part./Art./Réf.
S0537 (40x8)



Modular system Part. S0580 - S0557

The guide consists of modules with snap-on assembly.

