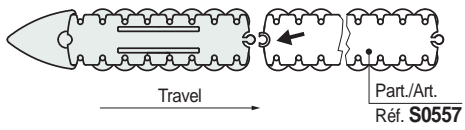
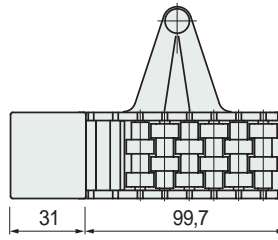


• **Assembly of Part. S0570**

Guide position (Part. S0557) to allow assembly with divider module.



■ **Divider module**



Part. S0570

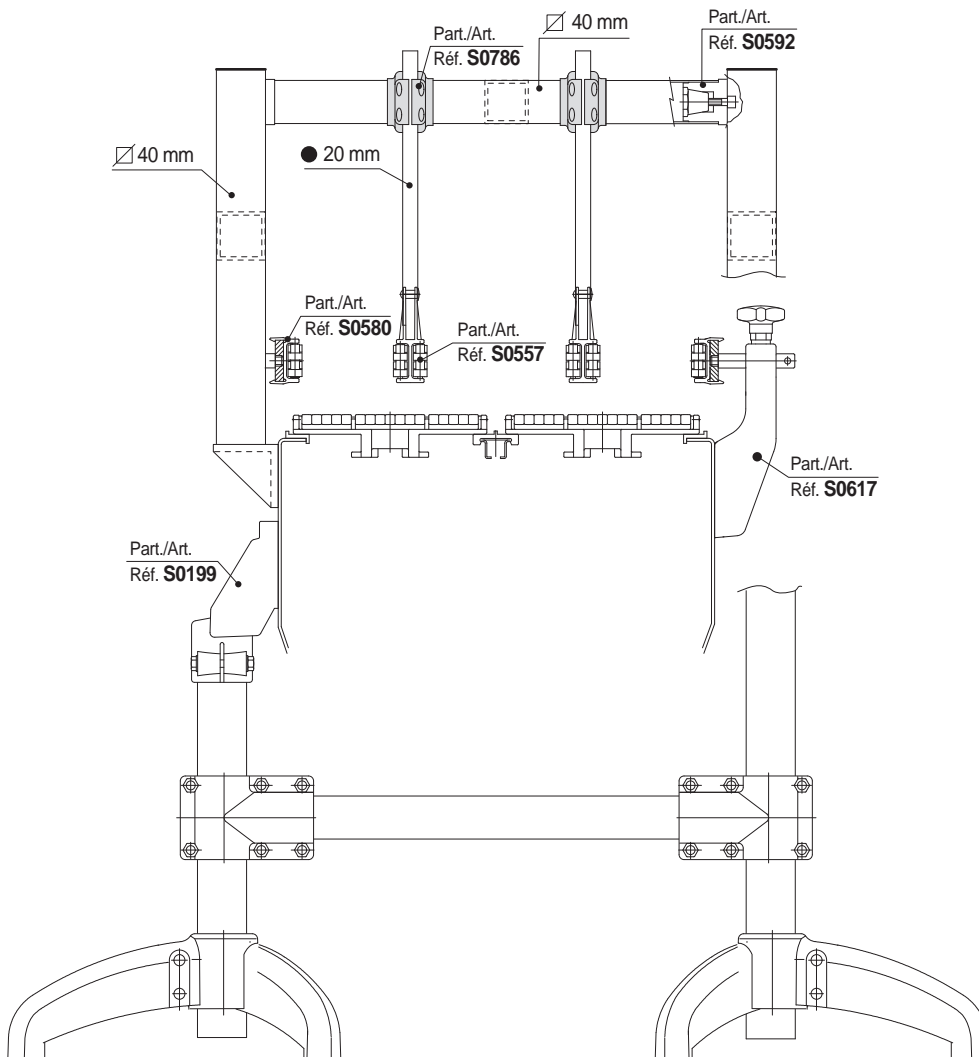


Version	Code	Weight kg
For 30x6 plate	601142N	0,15
For 40x8 plate	601162N	

- Material: frame in Acetal POM (black), rollers in Acetal POM (white). Separation block in polyethylene PE (black).
- Packaging: 2 pieces.

• **Use of Part. S0580 - S0557**

For medium strength containers (tin cans, glass strong aluminium cans).

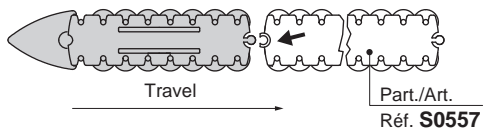


- **Best Seller**
- **Standard**
- **On request:** minimum quantity may apply. Consult our Customer Service for availability.

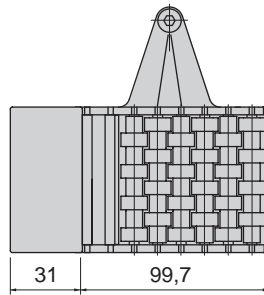
Item code for order = Part. + Code

• **Assembly of Part. S0570**

Guide position (Part. S0557) to allow assembly with divider module.



■ **Divider module**



Version	Code	Weight kg
For 30x6 plate	603532	0,24
For 40x8 plate	603542	

- Material: frame in Acetal POM (black), rollers in Acetal POM (white). Separation block in polyethylene PE (black).
- Packaging: 2 pieces.

Part. S0570



- **Best Seller**
- **Standard**
- **On request:** minimum quantity may apply. Consult our Customer Service for availability.

Item code for order = Part. + Code