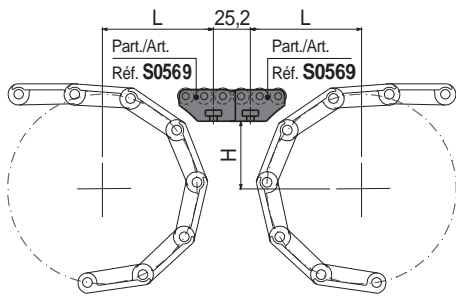
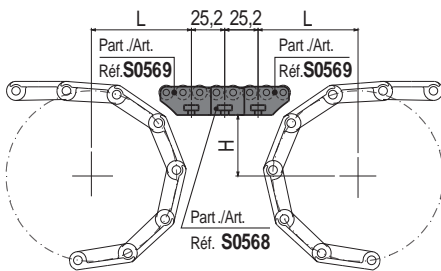


- Head to tail transfer of big and heavy products.

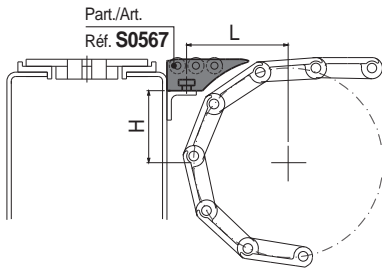


L and H see page S214.



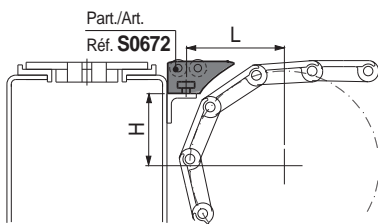
L and H see page S214.

- 90° transfer of small and light products.



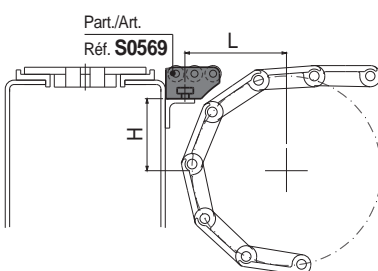
L and H see page S214.

Compact version.



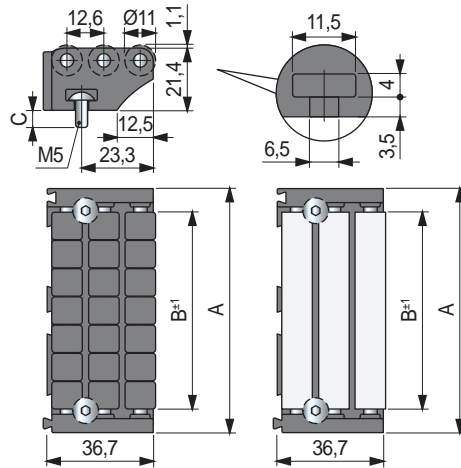
L and H see page S216.

- 90° transfer of big and heavy products.



L and H see page S214.

### End transfer module



			Code		
A mm	B mm	C mm	Frame and Rollers in acetal Rex-HP (dark grey)	Frame in acetal POM (black) Rollers in special material (aubergine)	Frame in acetal Rex-HP (dark grey) Single roller in PE (white)
85	67,6	Without screws	<b>605922</b>	<b>639023</b>	<b>603412</b>
		7	<b>686262</b>	<b>639033</b>	<b>639043</b>
		13	<b>601092</b>	<b>610682</b>	<b>639053</b>
115	97	Without screws	<b>687392</b>	<b>639063</b>	<b>699012</b>
		7	<b>686482</b>	<b>639073</b>	<b>639083</b>
		13	<b>677332</b>	<b>639093</b>	<b>639103</b>

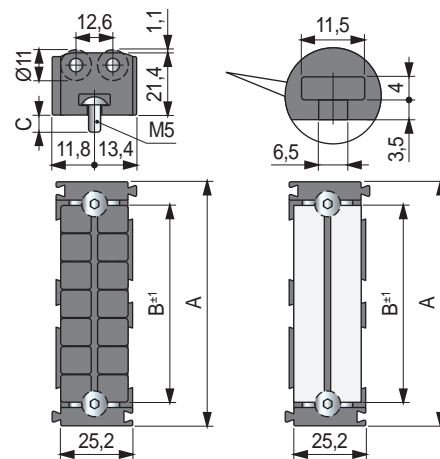
- Material: roller pins and screws in austenitic stainless steel.
- Modularity: snap-on assembly with Part. S0568.
- Packaging: 10 pieces.
- Weight: A=85: 0,09, A=115: 0,10.

Part. S0569



New versions with rollers in special low friction material (Aubergine), and with a single roller in PE (White)

### End transfer module



			Code		
A mm	B mm	C mm	Frame and Rollers in acetal Rex-HP (dark grey)	Frame in acetal POM (black) Rollers in special material (aubergine)	Frame in acetal Rex-HP (dark grey) Single roller in PE (white)
85	67,6	Without screws	<b>605912</b>	<b>639113</b>	<b>603402</b>
		13	<b>601082</b>	<b>610672</b>	<b>639123</b>
115	97	Without screws	<b>687402</b>	<b>639133</b>	<b>699022</b>
		13	<b>677312</b>	<b>639143</b>	<b>639153</b>

- Material: roller pins and screws in austenitic stainless steel.
- Modularity: snap-on assembly with Part. S0567 - S0569 - S0672.
- Packaging: 20 pieces.
- Weight: A=85: 0,08, A=115: 0,10.

Part. S0568



New versions with rollers in special low friction material (Aubergine), and with a single roller in PE (White)

● Best Seller

● Standard

● On request: minimum quantity may apply. Consult our Customer Service for availability.

Item code for order = Part. + Code