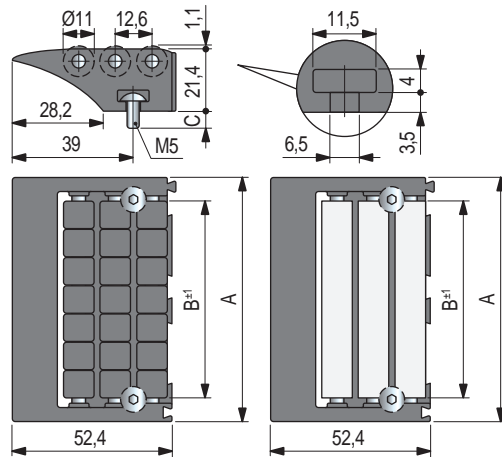


## Part. S0567



New versions with rollers in special low friction material (Aubergine), and with a single roller in PE (White)

### End transfer module (with lip)



#### Code

A mm	B mm	C mm	Frame and Rollers in acetal Rex-HP (dark grey)	Frame in acetal POM (black) Rollers in special material (aubergine)	Frame in acetal Rex-HP (dark grey) Single roller in PE (white)
			Without screws	688792	638833
85	67,6	7	688802	638843	638853
		13	688812	688832	638863
115	97	Without screws	687382	638873	699002
		7	686472	638883	638893
		13	677322	638903	638913

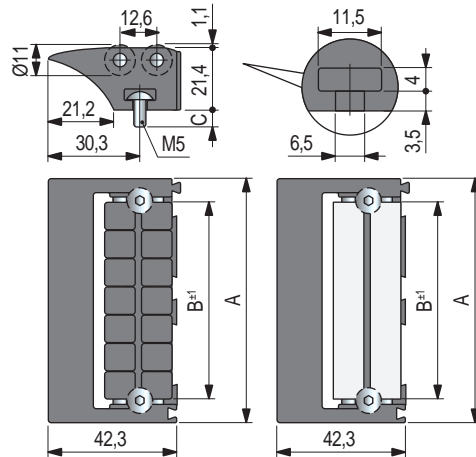
- Material: roller pins and screws in austenitic stainless steel.
- Modularity: snap-on assembly with Part. S0568.
- Packaging: 10 pieces.
- Weight: A=85: 0,09, A=115: 0,11.

## Part. S0672



New versions with rollers in special low friction material (Aubergine), and with a single roller in PE (White)

### End transfer module (with lip)



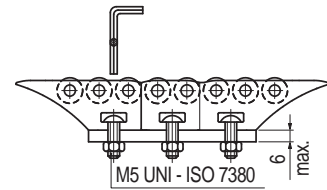
#### Code

A mm	B mm	C mm	Frame and Rollers in acetal Rex-HP (dark grey)	Frame in acetal POM (black) Rollers in special material (aubergine)	Frame in acetal Rex-HP (dark grey) Single roller in PE (white)
			Without screws	687412	638923
85	67,6	7	687422	638933	638943
		13	675582	638953	638963
115	97	Without screws	687432	638973	699042
		7	687442	638983	638993
		13	675592	639003	639013

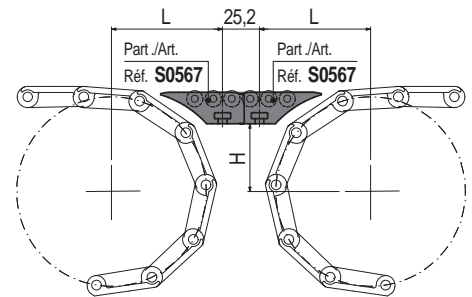
- Material: roller pins and screws in austenitic stainless steel.
- Modularity: snap-on assembly with Part. S0568.
- Packaging: 10 pieces.
- Weight: A=85: 0,09, A=115: 0,11.

### Fixing

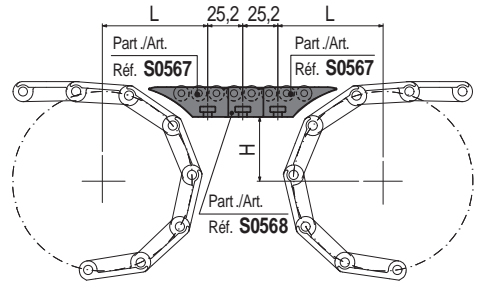
Screws are tightened with an hexagon key inserted between rollers.



### Head to tail transfer of small and light products.

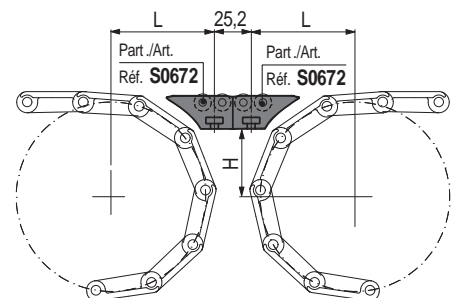


L and H see page S214.

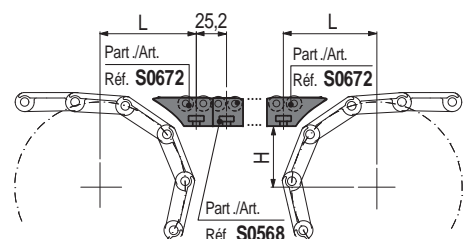


L and H see page S214.

### Compact version.



L and H see page S216.



L and H see page S216.

● Best Seller

● Standard

● On request: minimum quantity may apply. Consult our Customer Service for availability.

Item code for order = Part. + Code