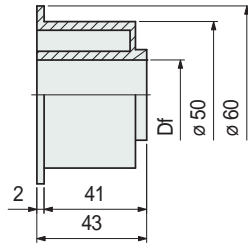


Part. S0561



Dia. 50 mm

Roller



Shaft dia. mm	Bore dia. Df mm	Code
15	15,5	697561

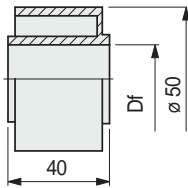
- Material: Polyethylene PE (black).
- Packaging: 100 pieces.

Part. S0560



Dia. 50 mm

Roller

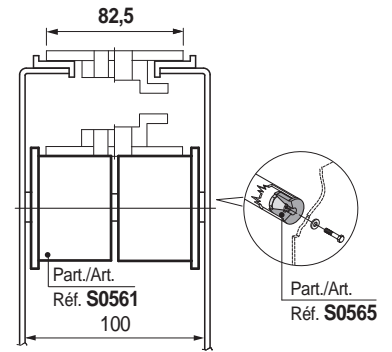


Shaft dia. mm	Bore dia. Df mm	Code
15	15,5	697551

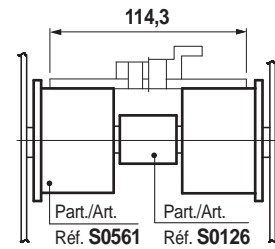
- Material: Polyethylene PE (black).
- Packaging: 100 pieces.

TableTop® chains / PlateTop chains

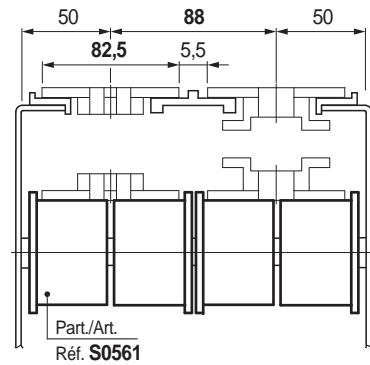
Chain width 82,5 mm (K 325)



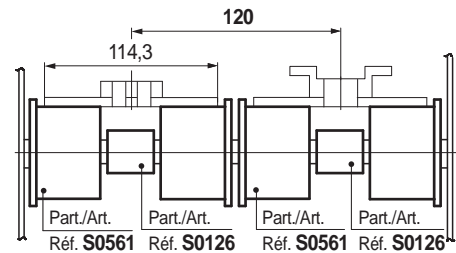
Chain width 114,3 mm (K 450)



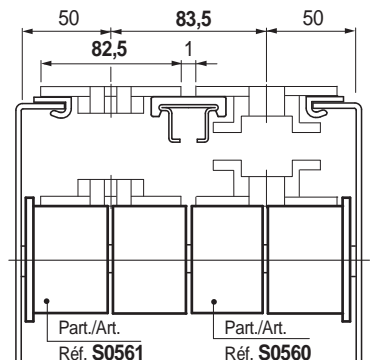
Chain width 82,5 mm (K 325) / Pitch 88 mm



Chain width 114,3 mm (K450) / Pitch 120 mm



Chain width 82,5 mm (K 325) / Pitch 83,5 mm



● Best Seller

● Standard

● On request: minimum quantity may apply. Consult our Customer Service for availability.

Item code for order = Part. + Code