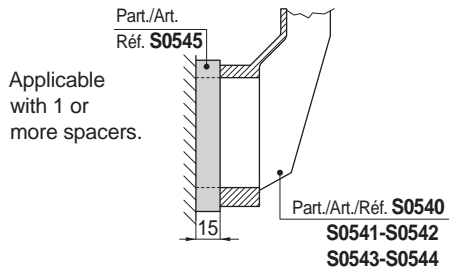
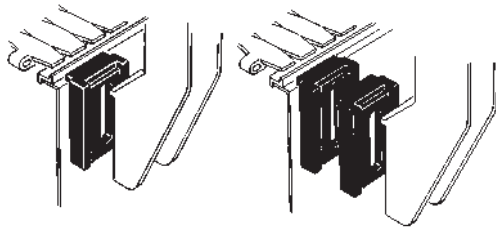


- **Assembly** of Part. S0545
Applicable to Part. S0540 - S0541 - S0542 - S0543 - S0544.

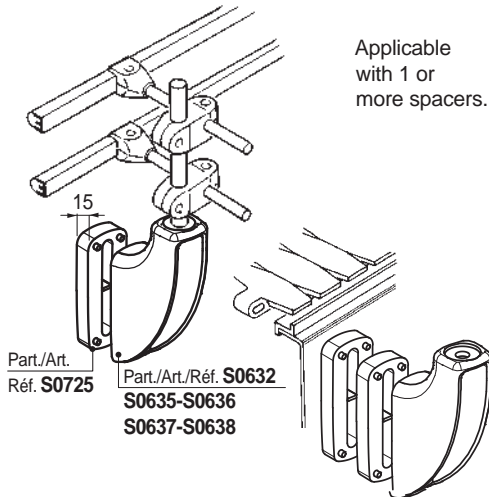


Advantages of version with lip:

- Possibility of resting on side of conveyor frame.
- Possibility of assembling several spacers, all centred.

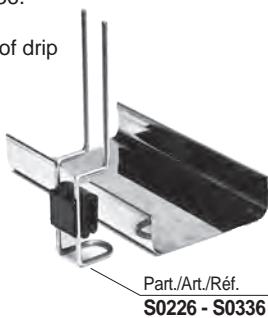


- **Assembly** of Part. S0725
Applicable to Part. S0632 - S0635 - S0636 - S0637 - S0638.

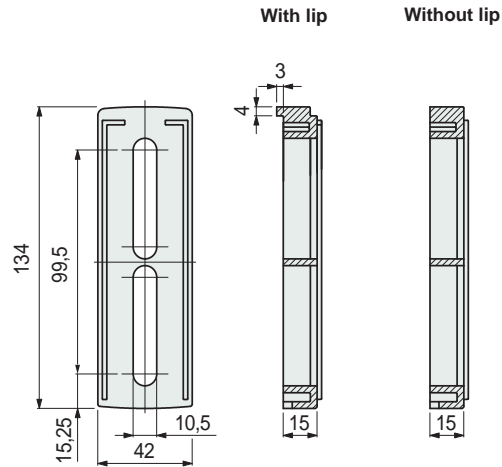


Applicable with 1 or more spacers.

- **Assembly of drip tray support**
Part. S0226 - S0336.
Part. S0725 permit application of drip tray support.



■ Spacer



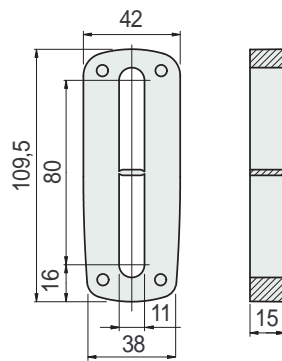
Version	Code	Weight kg
With lip	683771	0,04
Without lip	683761	

- Material: reinforced polyamide PA FV (black).
- Packaging: 25 pieces.

Part. S0545



■ Spacer



Code	Weight kg
688762	0,05

- Material: reinforced polyamide PA FV (black).
- Packaging: 25 pieces.

Part. S0725



- **Best Seller**
- **Standard**
- **On request:** minimum quantity may apply. Consult our Customer Service for availability.

Item code for order = Part. + Code