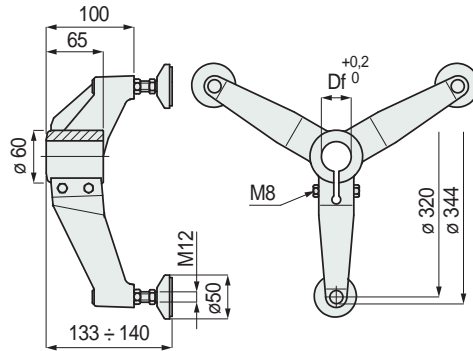


Part. S0418



For round tubes

Support base (tripod)



Tube dia. mm	Bore dia. Df mm	Bolts material	Code
Ø 33,7 (1")	33,7	Austenitic stainless steel	614201

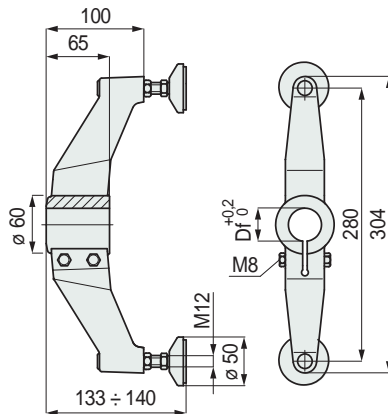
- Material: support base and foot plate in reinforced polyamide PA FV (black). Protective spindle cap in polyamide PA (black). Spindle in austenitic stainless steel. Nickel plated brass threaded bushings. Anti-slip disc in black NBR rubber (70 shore).
- Weight: 0,81 Kg.
- Max recommended tightening torque: 2 Kgm.
- Packaging: 8 pieces.

Part. S0419



For round tubes

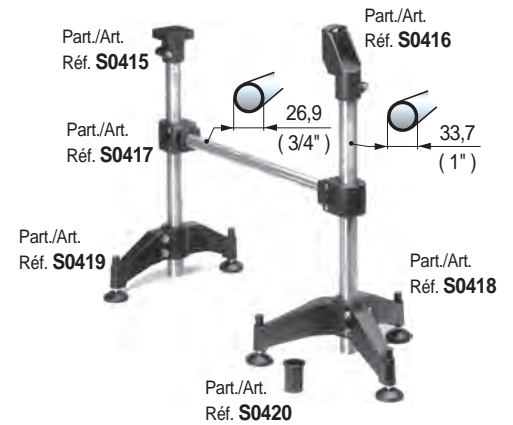
Support base (bipod)



Tube dia. mm	Bore dia. Df mm	Bolts material	Code
Ø 33,7 (1")	33,7	Austenitic stainless steel	614211

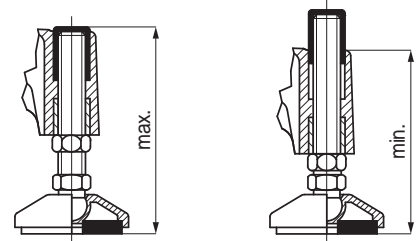
- Material: support base and foot plate in reinforced polyamide PA FV (black). Protective spindle cap in polyamide PA (black). Spindle in austenitic stainless steel. Nickel plated brass threaded bushings. Anti-slip disc in black NBR rubber (70 shore).
- Weight: 0,57 Kg.
- Max recommended tightening torque: 2 Kgm.
- Packaging: 12 pieces.

Assembly of Part. S0418 - S0419

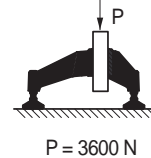


Protective cap

prevents entry of dirt and protects thread. During adjustment of the foot, the protective cap follows the movement of the spindle.

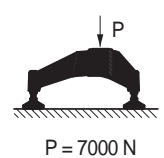


Sliding load resistance Part. S0418



P = 3600 N

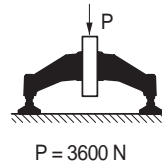
Max applicable load Part. S0418



P = 7000 N

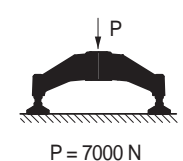
Tests performed at tightening torque: 2 Kgm

Sliding load resistance Part. S0419



P = 3600 N

Max applicable load Part. S0419



P = 7000 N

Tests performed at tightening torque: 2 Kgm

● Best Seller

● Standard

● On request: minimum quantity may apply. Consult our Customer Service for availability.

Item code for order = Part. + Code