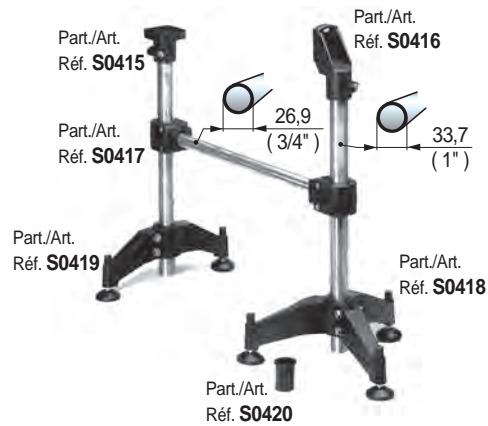
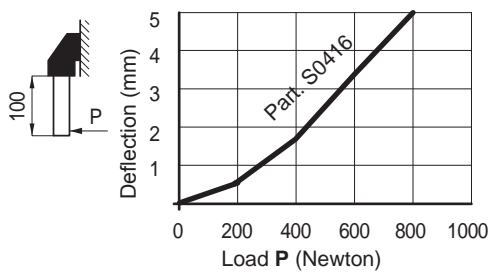


• Assembly of Part. S0416 - S0415



• Deflection Part. S0416



• Sliding load



Part. S0416 (P = 3300 N)

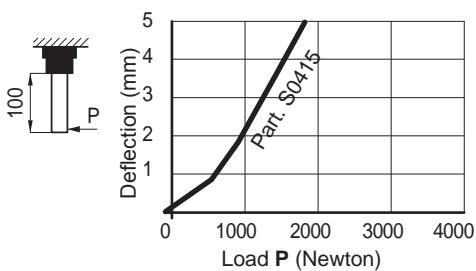
• Breaking load



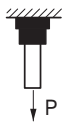
Part. S0416 (P = 21900 N)

Tests performed at tightening torque: 2 Kgm

• Deflection Part. S0415



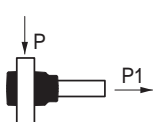
• Sliding load



Part. S0415 (P = 1500 N)

Tests performed at tightening torque: 2 Kgm

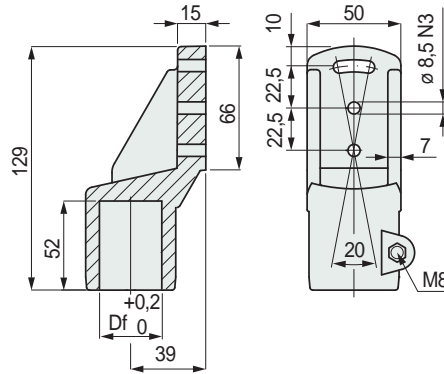
• Sliding load



Part. S0415 (P = 500 N)  
(P1 = 800 N)

Tests performed at tightening torque: 2 Kgm

■ Side mounting top bracket



Tube dia. mm	Bore dia. Df mm	Bolts material	Code
Ø 33,7 (1")	33,7	Austenitic stainless steel	69668

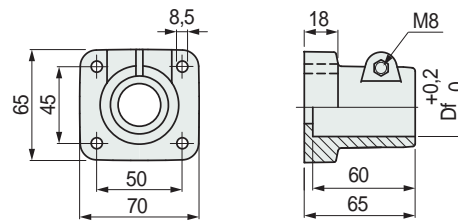
- Material: reinforced polyamide PA FV (black).
- Weight: 0,15 Kg.
- Max recommended tightening torque: 2 Kgm.
- Packaging: 24 pieces.

Part. S0416



For round tubes

■ Bearing head



Tube dia. mm	Bore dia. Df mm	Bolts material	Code
Ø 33,7 (1")	33,7	Austenitic stainless steel	69658

- Material: reinforced polyamide PA FV (black).
- Weight: 0,12 Kg.
- Max recommended tightening torque: 2 Kgm.
- Packaging: 24 pieces.

Part. S0415



For round tubes

● Best Seller

● Standard

● On request: minimum quantity may apply. Consult our Customer Service for availability.

Item code for order = Part. + Code