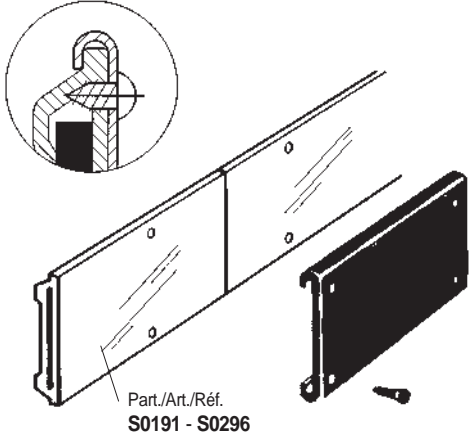
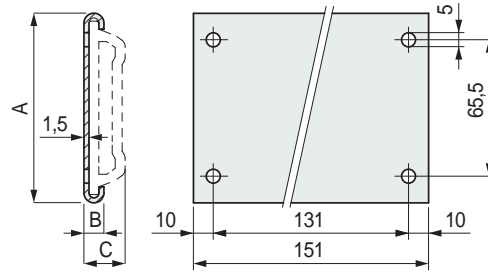


• **Assembly of Part. S0378 - S0379**
 Assembly with self-tapping screws
 4,8 x 9,5 DIN 7970



■ **Joint clamp**



Part. **S0378**
 Part. **S0379**



Use	A mm	B mm	C mm	Code
Applicable to Part. S0191	81,5	9	18	S037863646
Applicable to Part. S0296	90	8	17	S037963656

- Material: clamp and fixing screws in austenitic stainless steel.
- Standard packaging: 50 pieces complete with fixing screws.

- **Best Seller**
- **Standard**
- **On request:** minimum quantity may apply. Consult our Customer Service for availability.

Item code for order = Part. + Code