

## Guide - Rail Clamps for

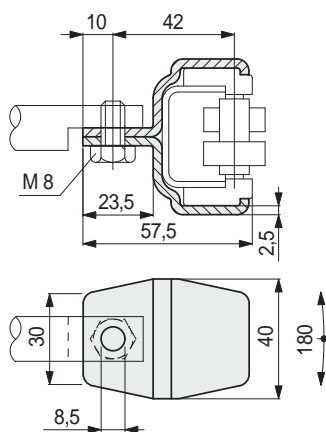
- Part. S0128S
- Part. S0128



## Part. S0373



### ■ Guide-rail clamp



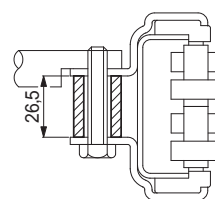
Material	Code	Weight kg
Austenitic stainless steel	<b>63506</b>	0,11
Zinc plated steel	<b>64156</b>	

- Packaging: 50 pieces.
- Suitable to use in curves also.

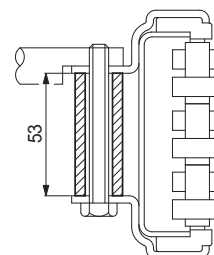
### • Assembly of Part. S0373

For the use of double and triple execution rails it is necessary a spacer.

Spacer for double execution guide rail

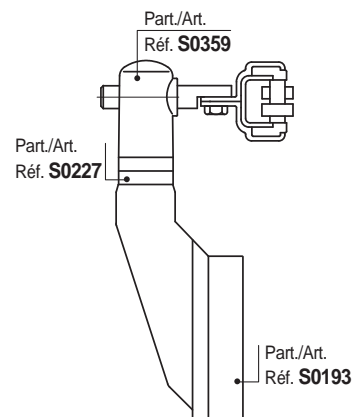
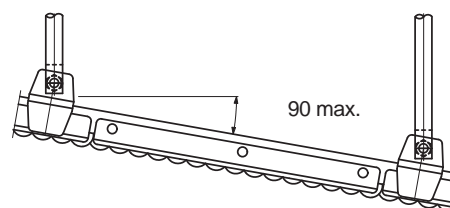


Spacer for triple execution guide rail



Spacer not included

The clamp allow the guide to be mounted at an angle



● Best Seller

● Standard

● On request: minimum quantity may apply. Consult our Customer Service for availability.

Item code for order = Part. + Code