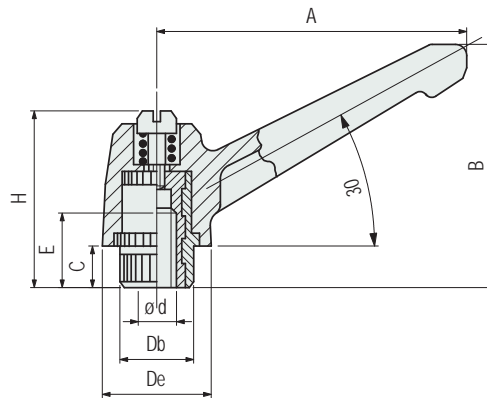


Ratchet handle clamping

Part. S0302

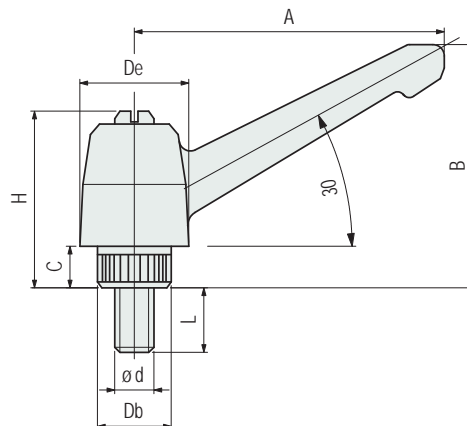


Bore dia. d	A mm	B mm	C mm	E mm	H mm	Db mm	De mm	Code
M6	40	40	7	12	32	11,5	16	60902
M8	55	51	10	14	37	15	20	60862
M10	79	67	11	20	48	20	28	60962

- Material: handle in reinforced polyamide in PA FV (black), Threaded insert in nickel plated brass.
- Packaging:
with d = M6 and M8 (100 pieces).
with d = M10 (50 pieces).

Ratchet handle clamping

Part. S0303



Bore dia. d	A mm	B mm	C mm	L mm	H mm	Db mm	De mm	Code
M5	40	40	7	20	32	11,5	16	646742
M6	40	40	7	20	32	11,5	16	60922
M8	55	51	10	25	37	15	20	60872
M10	79	67	11	30	48	20	28	60942

- Material: handle in reinforced polyamide in PA FV (black), spindle in austenitic stainless steel.
- Packaging:
with d = M5, M6 and M8 (100 pieces).
with d = M10 (50 pieces).

- **Best Seller**
- **Standard**
- **On request:** minimum quantity may apply. Consult our Customer Service for availability.

Item code for order = Part. + Code