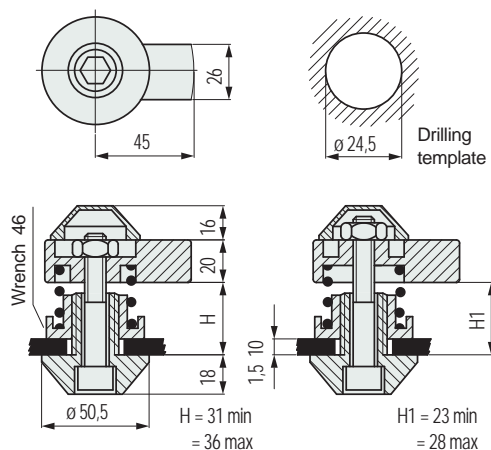


Part. S0272



Lock



Assembly drawing No. 1

Assembly drawing No. 2

Code	Weight kg
66771	0,2

- Material: body in reinforced polyamide PA FV (black), bolts, nuts and spring in austenitic stainless steel.
- Use: closure of doors in machines for foodindustry (washing, bottling, etc).
- Packaging: 10 pieces.
- Operation with hexagonal bar 10 key.
- Key turn: 360 right or left.
- Assembly instructions:
 Assembly lock as shown in assembly diagram 1, when the size X (Fig. 1) is suitable for assembly distance between 31 ÷ 36 mm. When X (Fig. 1) is between 23 ÷ 28 mm, follow assembly type 2.

Assembly Part. S0272

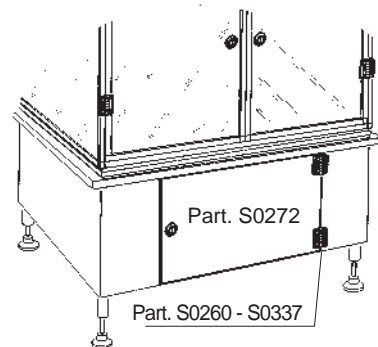
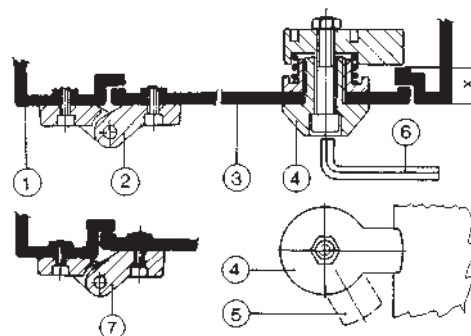


Fig. 1



- 1 - Machine structure.
- 2 - Hinge Part. S0260 - S0337.
- 3 - Door.
- 4 - Lock Part. S0272 (in closed position).
- 5 - Lock Part. S0272 (in open position).
- 6 - Lock key (with exagonal 10 wrench).
- 7 - Hinge Part. S0260 (for misalligned mounting surfaces).

Best Seller

Standard

On request: minimum quantity may apply. Consult our Customer Service for availability.

Item code for order = Part. + Code