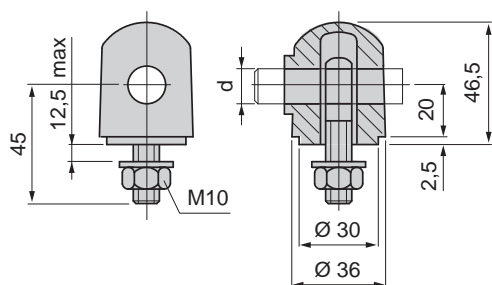


Part. S0255



Swivel head



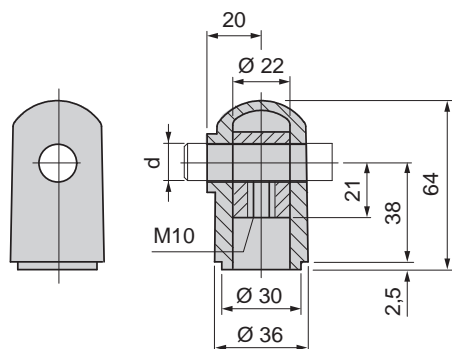
Material	Pin dia. d mm	Code	Weight kg
Reinforced polyamide PA FV (black)	12	69670	0,08
	14	69680	
	16	59041	

- Material: tightening nut and eyebolt in austenitic stainless steel.
- Packaging: 50 pieces.

Part. S0359



Swivel head

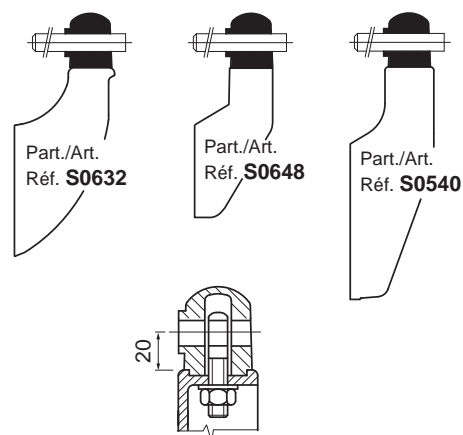


Material	Pin dia. d mm	Code	Weight kg
Reinforced polyamide PA FV (black)	12	684501	0,10
	14	684511	
	16	64235	

- Material: eyebolt in nickel plated brass.
- Packaging: 50 pieces.

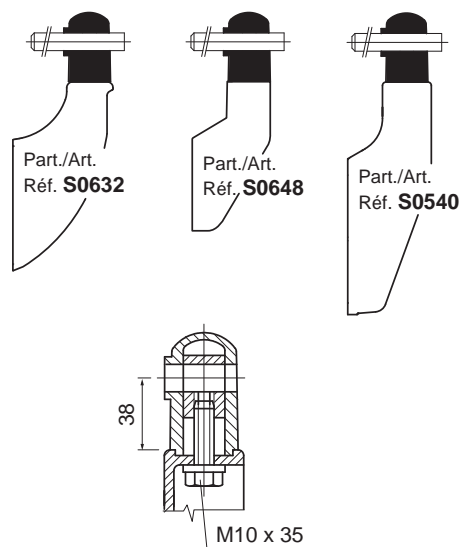
Assembly of Part. S0255

Applicable to brackets Part. S0632 - S0648 - S0540



Assembly of Part. S0359

Applicable to brackets Part. S0632 - S0648 - S0540



● Best Seller

● Standard

● On request: minimum quantity may apply. Consult our Customer Service for availability.

Item code for order = Part. + Code