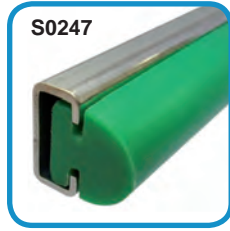


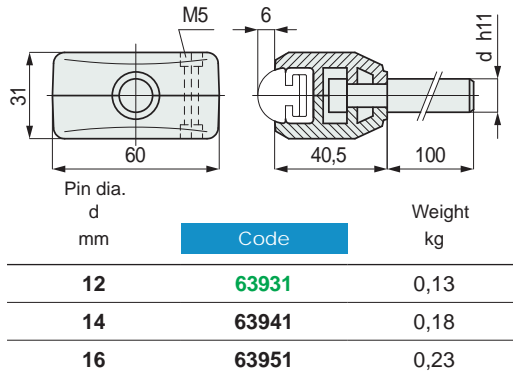
Guide - Rail Clamps for
• Part. S0247



Part. S0236



■ **Guide-rail clamp**

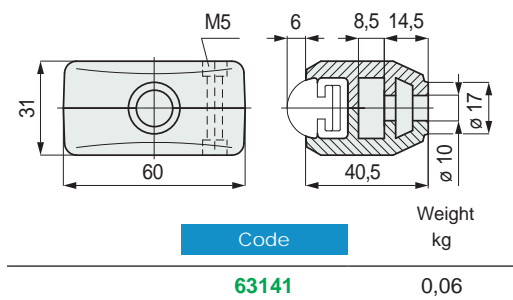


- Material: guide rail clamps in reinforced polyamide PA FV (black).
Pin in austenitic stainless steel.
Bolts in austenitic stainless steel. Nuts in nickel plated brass.
- Packaging: 50 pieces.

Part. S0236



■ **Guide-rail clamp**

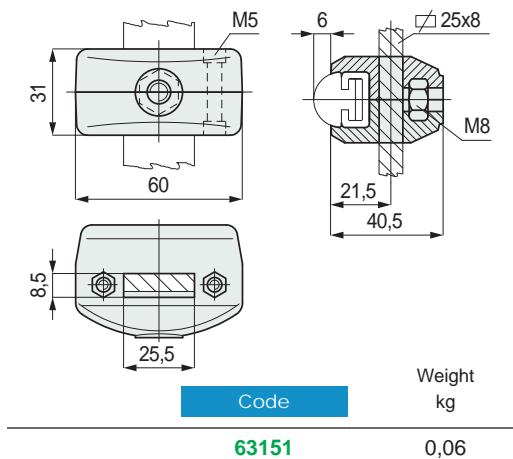


- Material: guide rail clamps in reinforced polyamide PA FV (black).
Bolts in austenitic stainless steel. Nuts in nickel plated brass.
- Packaging: 50 pieces.

Part. S0237

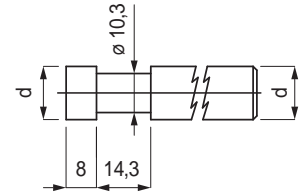


■ **Adjustable guide-rail clamp**



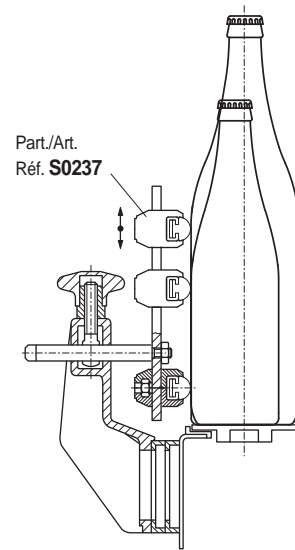
- Material: guide rail clamp in reinforced polyamide PA FV (black).
Bolts in austenitic stainless steel. Nuts in nickel plated brass.
- Packaging: 50 pieces.

• **Pin dimensions for Part. S0236**



• **Assembly of Part. S0237**

Unlimited height adjustment possible



● **Best Seller**

● **Standard**

● **On request:** minimum quantity may apply. Consult our Customer Service for availability.

Item code for order = Part. + Code