

Part. S0226

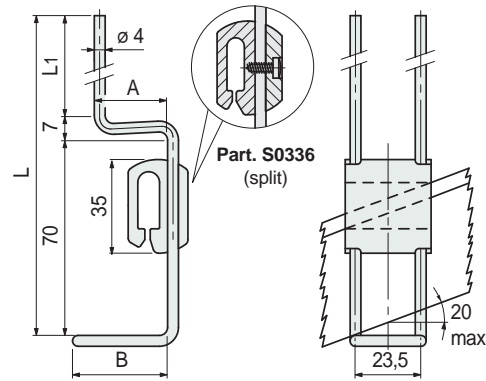
Part. S0336



Bent rod

■ Drip tray support

Part. S0226 (standard)



Height L mm	L1 mm	A mm	B mm	Code		Weight kg
				Part. S0226 Standard	Part. S0336 Split	
		14	35	67305N	697761N	
		17	35	66772N	66823N	
180	103	27	35	62071N	60574N	
		27	50	67319N	697771N	0,06
		57	50	641461N	697781N	
200	123	38	35	64681N	697791N	
230	153	27	35	64631N	697801N	
310	233	18	35	647551N	68299N	

- Material: body in reinforced polypropylene PP FV (black), support element in austenitic stainless steel, self-tapping screw (only for Part. S0336) in stainless steel.
- Packaging: 100 pieces.

Part. S0226

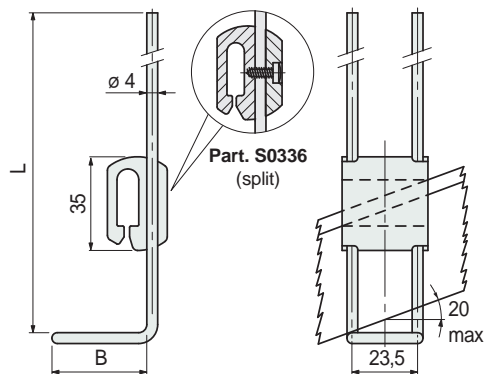
Part. S0336



Straight rod

■ Drip tray support

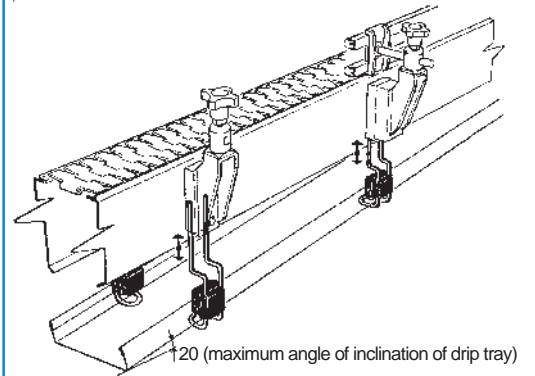
Part. S0226 (standard)



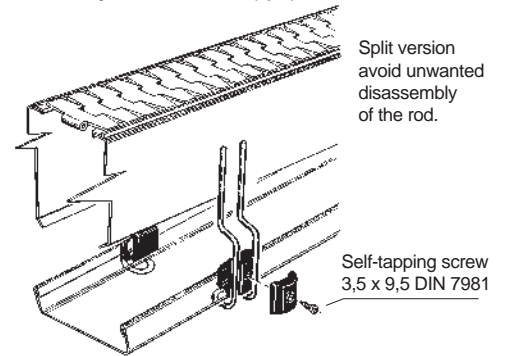
Height L mm	B mm	Code		Weight kg
		Part. S0226 Standard	Part. S0336 Split	
200	35	61767	697811	0,06

- Material: body in reinforced polypropylene PP FV (black), support element in austenitic stainless steel, self-tapping screw (only for Part. S0336) in stainless steel.
- Packaging: 100 pieces.

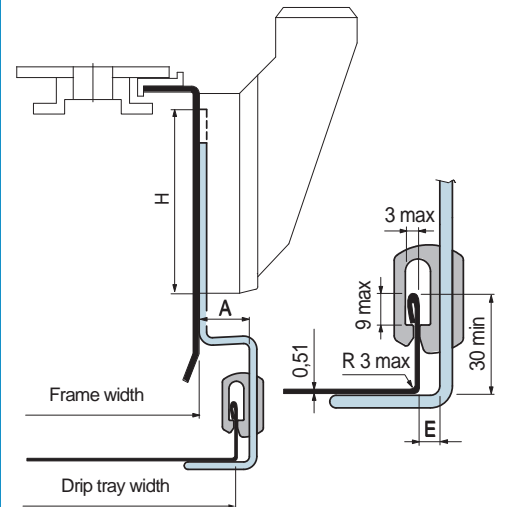
• Assembly of Part. S0336 (standard)



• Assembly of Part. S0336 (split)



• Drip tray design



Drip tray width = Frame width + 2 • (A - E)

A = see table with codes

E = 10 mm for Part. S0226 (standard)
9,2 mm for Part. S0336 (split)

Bracket Part.	Rod slot length H mm
S0081 - S0088	70
S0072 - S0089	102,5
S0085	53
S0010 - S0097	71
S0107	72
S0599	104
S0140	106
S0617	95
S0632 - S0635 - S0636 - S0637 - S0638	103,5
S0540 - S0541 - S0542 - S0543 - S0544	123

● Best Seller

● Standard

● On request: minimum quantity may apply. Consult our Customer Service for availability.

Item code for order = Part. + Code