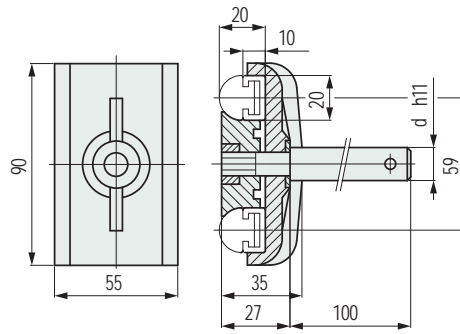


■ Double guide-rail clamp



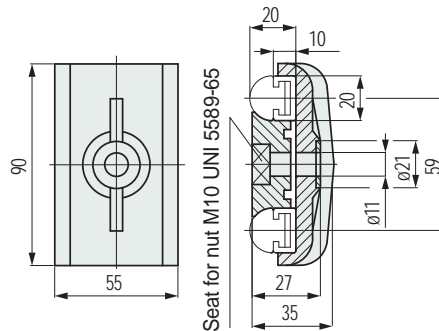
Pin dia. d mm	Code	Weight kg
12	51590	0,20
14	51600	0,23
16	55010	0,26

- Material: guide rail clamp in reinforced polyamide PA FV (black). Pin in austenitic stainless steel. Washer in austenitic stainless steel. Nut in nickel plated brass.
- Packaging: 50 pieces.

Part. S0116



■ Double guide-rail clamp



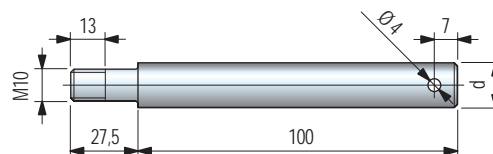
Code	Weight kg
51580	0,08

- Material: guide rail clamp in reinforced polyamide PA FV (black). Washer in austenitic stainless steel.
- State of supply: supplied without tightening nut.
- Packaging: 50 pieces

Part. S0111



■ Rod for Part. S0116



Pin dia. d mm	Code	Weight kg
12	65784	0,11
14	66774	0,15
16	66784	0,20

- Material: austenitic stainless steel.
- Packaging: 50 pieces.

Part. S0000



- Best Seller
- Standard
- On request: minimum quantity may apply. Consult our Customer Service for availability.

Item code for order = Part. + Code