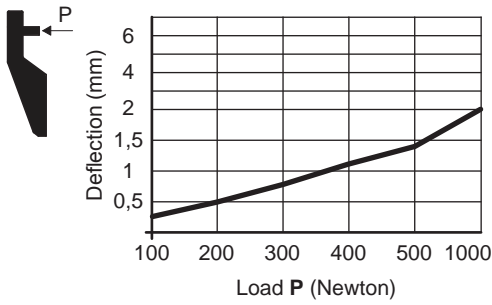
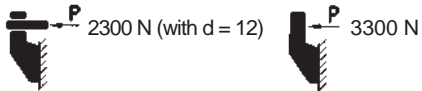


• Deflection of Part. S0107S



• Technical data of Part. S0107S

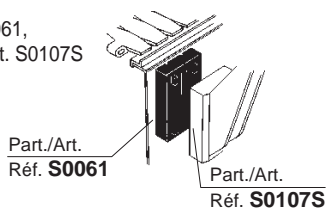
- Sliding load resistance: - Breaking load:



Tests performed at tightening torque: 2 Kgm

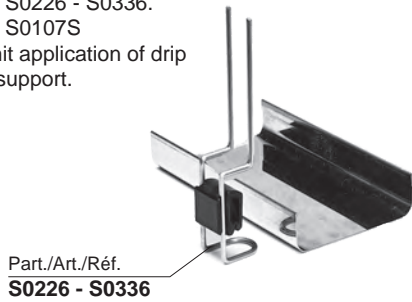
• Accessories

Spacer Part. S0061,  
Applicable to Part. S0107S



• Assembly of drip tray support

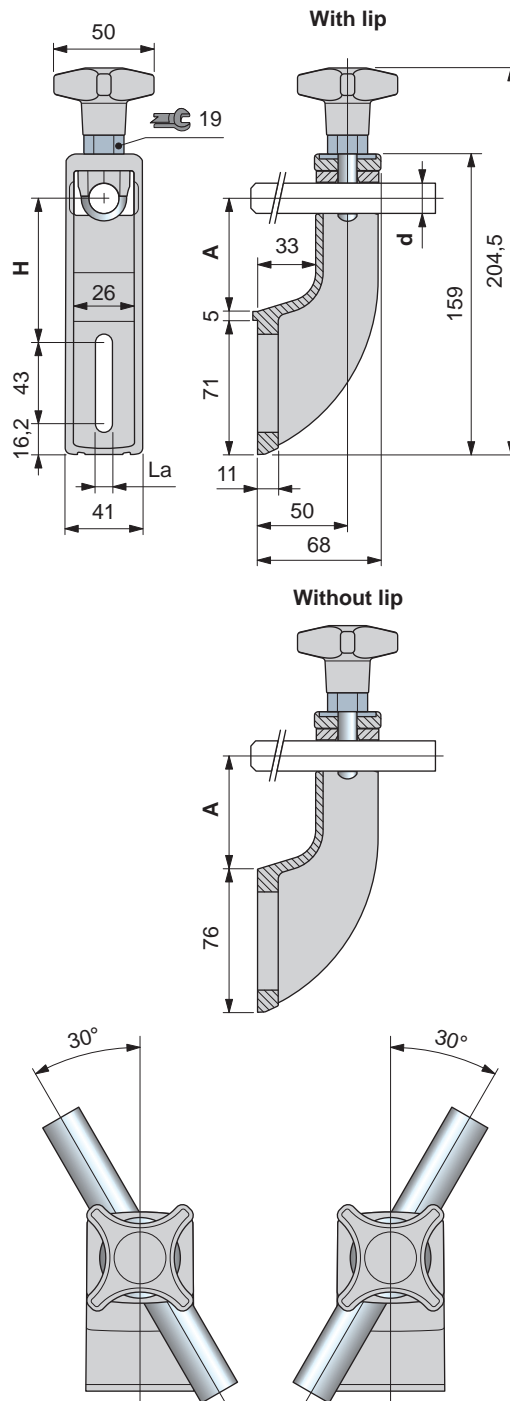
Part. S0226 - S0336.  
Part. S0107S  
permit application of drip  
tray support.



• Adjustable:  $\pm 30^\circ$



■ Adjustable bracket



Version	H	A	Pin dia. d		Code	
			mm	inch	La=9 mm	La=10,5 mm
With lip	78,9	62,4	12	1/2	643523	643543
	77,6	61,1	14	-	644793	644833
	76,3	59,8	16	5/8	644803	644843
Without lip	78,9	62,4	12	1/2	643533	643553
	77,6	61,1	14	-	644813	644853
	76,3	59,8	16	5/8	644823	644863

- Material: bracket and knob in reinforced polyamide PA FV (black). Hexagonal insert (for 19 mm wrench) in nickel plated brass. Eyebolt in austenitic stainless steel.
- Weight: 0,22 Kg.
- Max recommended tightening torque: 2 Kgm.
- Packaging: 50 pieces.

Part. S0107S



PATENT PENDING

● Best Seller

● Standard

● On request: minimum quantity may apply. Consult our Customer Service for availability.

Item code for order = Part. + Code