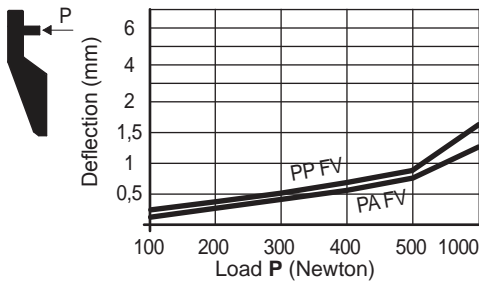


• Deflection of Part. S0107



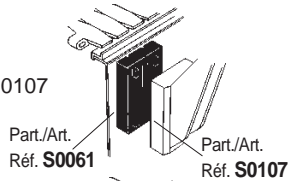
• Technical data Part. S0107

- Sliding load resistance:	- Breaking load:
Material in PA FV	Material in PA FV
2000 N (with d = 12)	4500 N
3200 N (with d = 14)	Material in PP FV
Material in PP FV	1300 N (with d = 12)
1300 N (with d = 12)	1700 N (with d = 14)
1700 N (with d = 14)	3300 N

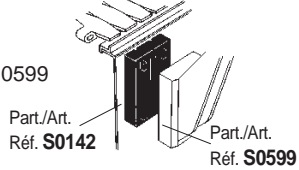
Tests performed at tightening torque: 4 Kgm

• Accessories

Spacer Part. S0061.
Applicable to Part. S0107



Spacer Part. S0142.
Applicable to Part. S0599



• Assembly of drip tray support

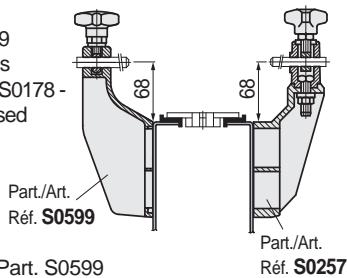
Part. S0226 - S0336.
Part. S0107 e S0599
permit application of drip
tray support.



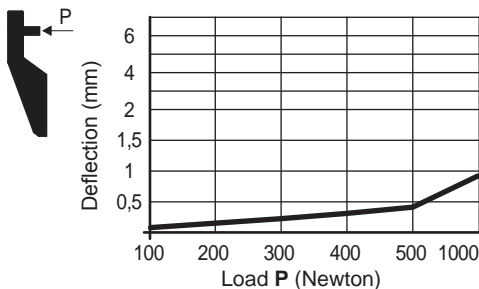
Part./Art./Réf.
S0226 - S0336

• Use Part. S0599

Same dimensions
as Part. S0163 - S0178 -
S0257, can be used
alternatively.



• Deflection of Part. S0599

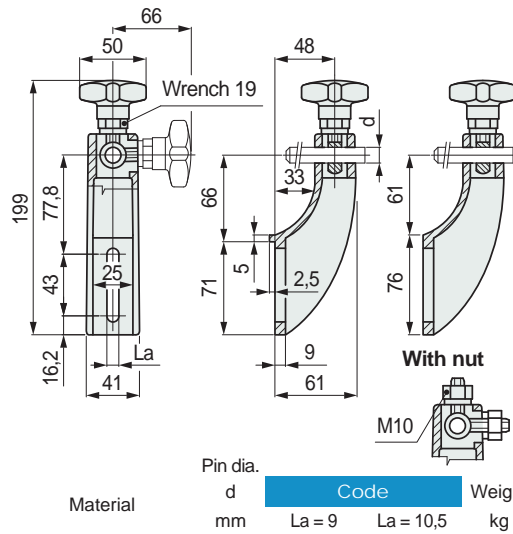


• Technical data Part. S0599

- Sliding load resistance:	- Breaking load:
2000 N (with d = 12)	3000 N

Tests performed at tightening torque: 4 Kgm

■ Bracket with eyebolt



With lip

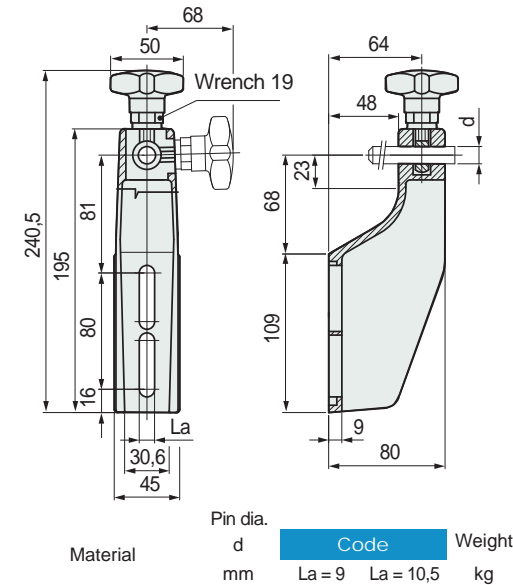
Reinforced polyamide PA FV	12	50710N 68200N	0,15
	14	67811N 67821N	
	16	655512N 655522N	

Without lip

Reinforced polyamide PA FV	12	650453N 650513N	0,15
	14	650463N 650522N	
	16	650473N 650533N	

- On request version with nut M10, without knob.
- Material: knob in reinforced polyamide (black), exagonal insert (for 19 mm wrench) in nickel plated brass, eyebolt in austenitic stainless steel.
- Colour: black.
- Max recommended tightening torque: 4 Kgm.
- Packaging: 50 pieces.

■ Bracket with eyebolt



Reinforced polyamide PA FV	12	611293 613572	0,11
	16	611303 655592	

- Material: knob in reinforced polyamide (black), exagonal insert (for 19 mm wrench) in nickel plated brass, eyebolt in austenitic stainless steel.
- Colour: black.
- Max recommended tightening torque: 4 Kgm.
- Packaging: 50 pieces.

Part. S0107



Part. S0599



● Best Seller

● Standard

● On request: minimum quantity may apply. Consult our Customer Service for availability.

Item code for order = Part. + Code