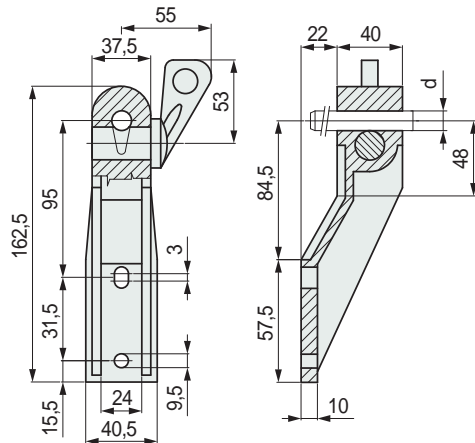


## Part. S0085



### Bracket with eccentric lever



Material	Pin dia. d mm	Code	Weight kg
Reinforced polypropylene PP FV (nero)	12	50810	0,13
	14	50820	

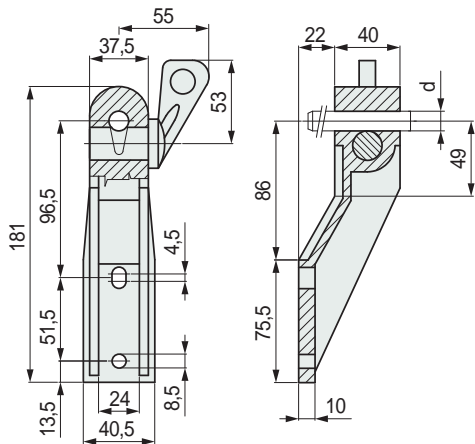
- Packaging: 50 pieces.

## Part. S0010

## Part. S0097



### Bracket with eccentric lever



Material	Pin dia. d mm	Code	Weight kg
Reinforced polyamide PA FV (black)	14	S001050840	0,14
Reinforced polypropylene PP FV (nero)	12	S009750850	0,14
	14	S009750860	

- Packaging: 50 pieces.

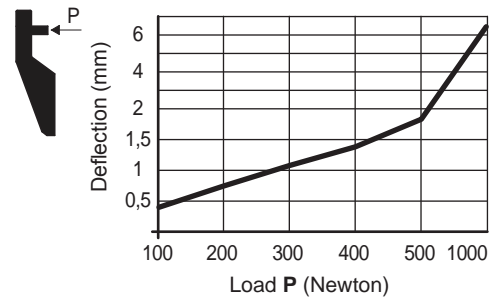
● Best Seller

● Standard

● On request: minimum quantity may apply. Consult our Customer Service for availability.

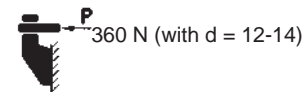
Item code for order = Part. + Code

### Deflection of Part. S0085



### Technical data Part. S0085

- Sliding load resistance:

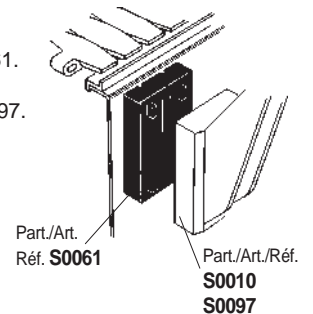


- Breaking load:



### Accessories

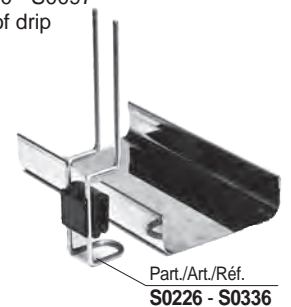
Spacer Part. S0061.  
Applicable to  
Part. S0010 - S0097.



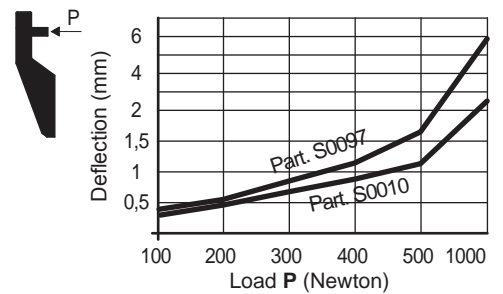
### Assembly of drip tray support

Part. S0226 - S0336.

Part. S0085 - S0010 - S0097  
permit application of drip  
tray support.

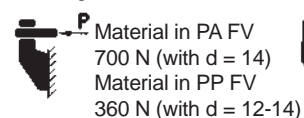


### Deflection of Part. S0010 - S0097



### Technical data Part. S0010 - S0097

- Sliding load resistance:



- Breaking load:

