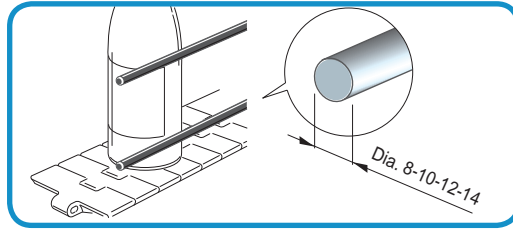


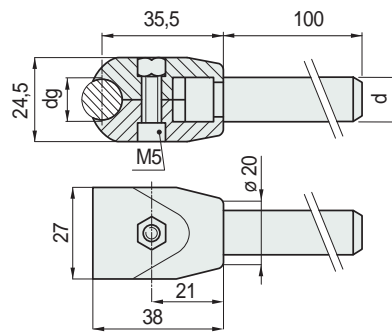
**Guide - Rail Clamps for**  
• Round steel rods



Part. S0082P



■ Guide-rail clamp



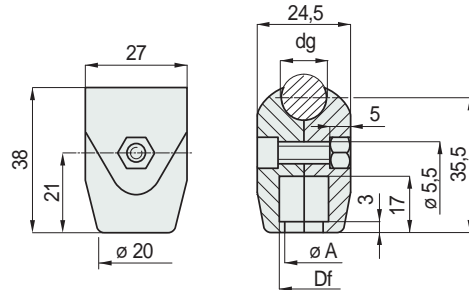
pin dia. d mm	Guide dia. dg mm	Code	Weight kg
	10	6827820	
12	12	6184910	0,12
	14	6185010	
14	10	6827920	0,15
	12	6185110	
	14	6185210	

- Material: guide rail clamps in reinforced polyamide PA FV (black).  
Pin in austenitic stainless steel.  
Bolt in austenitic stainless steel. Nut in nickel plated brass.  
- Packaging: 50 pieces.

Part. S0082  
Part. S0082B



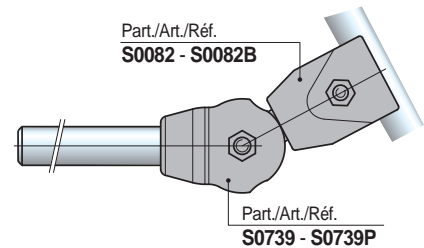
■ Guide-rail clamp



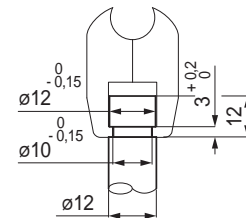
Use	Guide dia. dg mm	Code	Bore dia. Df mm	dia. A mm	Weight kg
<b>Without tightening bolt</b>					
	10	S0082682742			
for pins dia.12	12	S008266861	12	10	
	14	S008266871			0,01
for pins dia.14	10	S0082682752			
	12	S008250930	13,5	11,5	
	14	S008250940			
<b>With tightening bolt</b>					
	10	S0082B6827620			
for pins dia.12	12	S0082B6683800	12	10	
	14	S0082B6684800			0,01
for pins dia.14	10	S0082B6827720			
	12	S0082B6072510	13,5	11,5	
	14	S0082B6072610			

- Material: guide rail clamps in reinforced polyamide PA FV (black).  
Bolt in austenitic stainless steel. Nut in nickel plated brass.  
- Packaging: 100 pieces.  
- Accessories: swivel pin connection Part. S0739 - S0739P.

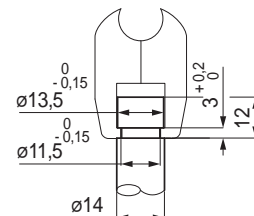
• **Swivel pin connection** Part. S0739 - S0739P  
Use for conveyors with (format change).  
They allow an easy regulation of product-guides on corner tracks.  
See page S112.



• Pin dimensions for Part. S0082 - S0082B  
Pin dia. 12 mm



Pin dia. 12 mm



● Best Seller

● Standard

● On request: minimum quantity may apply. Consult our Customer Service for availability.

Item code for order = Part. + Code