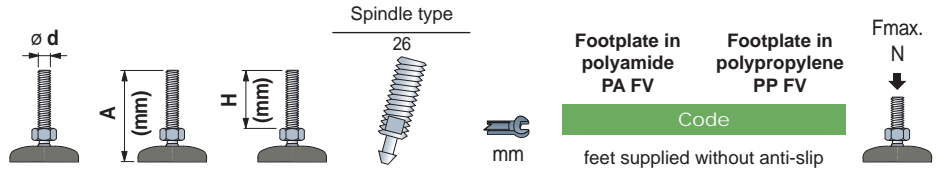
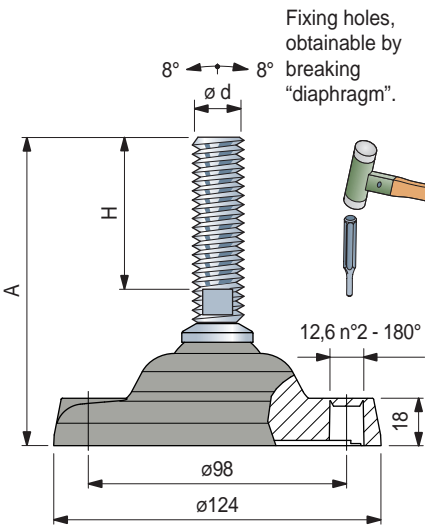


# R0869



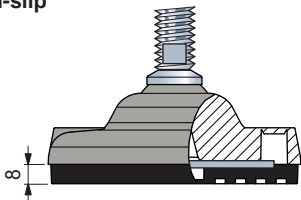
Spindle in stainless steel					Footplate in polyamide PA FV	Footplate in polypropylene PP FV	Fmax. N
					Code		
					feet supplied without anti-slip		
M16	110	50	26	13	618903	619283	45000 (PA FV)
	140	80	26	13	618913	619293	
	170	110	26	13	618923	619303	
	200	140	26	13	618933	619313	
	230	170	26	13	618943	619323	
M20	260	200	26	13	618953	619333	13000 (PP FV)
	140	79	26	17	618963	619343	
	200	139	26	17	618973	619353	
M24	260	199	26	17	618983	619363	13000 (PP FV)
	290	229	26	17	618993	619373	
	140	77	26	19	619003	619383	
M24	210	147	26	19	619013	619393	13000 (PP FV)
	240	177	26	19	619023	619403	
	270	207	26	19	619033	619413	

Spindle in zinc plated steel					Footplate in polyamide PA FV	Footplate in polypropylene PP FV	Fmax. N
					Code		
					feet supplied without anti-slip		
M16	110	50	26	13	619073	619453	45000 (PA FV)
	140	80	26	13	619083	619463	
	170	110	26	13	619093	619473	
	200	140	26	13	619103	619483	
	230	170	26	13	619113	619493	
M20	260	200	26	13	619123	619503	13000 (PP FV)
	140	79	26	17	619133	619513	
	170	109	26	17	619143	619523	
M20	200	139	26	17	619153	619533	13000 (PP FV)
	230	169	26	17	619163	619543	
	260	199	26	17	619173	619553	
M24	290	229	26	17	619183	619563	13000 (PP FV)
	140	77	26	19	619193	619573	
	170	107	26	19	619203	619583	
M24	200	137	26	19	619213	619593	13000 (PP FV)
	230	167	26	19	619223	619603	
	290	227	26	19	619233	619613	
	350	287	26	19	619243	619623	



## Accessories

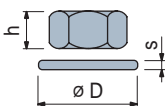
### Anti-slip



- Code with reinforcement disc: **R0000630082.**
- Code without reinforcement disc: **R0000630092.**
- Assembly: with screws for plate supplied loose.
- Material: NBR rubber (black), 80 Shore.
- Packaging: 8 pieces.

- Item code for order = Part. + Code
- Footplate material: reinforced polyamide PA FV (black) and reinforced polypropylene PP FV (black).
- Packaging: 8 pieces.
- Anti-slip supplied separately (on request supplied fixed to the foot).
- On request different length.
- Fmax. = maximum applicable load in static conditions.

## Nut + Washer



	Code		h	øD	s
	Stainless steel AISI 304	Zinc plated steel			
M16	R0000630212	R0000630142	13	24	30
M20	R0000630222	R0000630152	16	30	37
M24	R0000630232	R0000630162	19	36	44
M30	R0000630242	R0000630172	24	46	56

Packaging: 8 pieces

## Part. R0726 - Spacer



- Code: **688772.**
- Material: acetal POM (black).
- Weight: 1,15 Kg.
- Packaging: 8 pieces.

