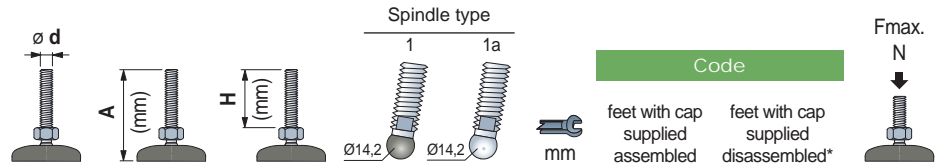
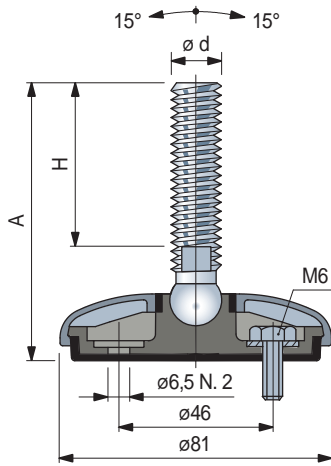


R0627



Spindle in stainless steel							Code		Fmax. N
M10	100	70	1	-	8	627623	627653	8000	
	85	55	1	-	10	627633	627663		
M12	145	115	1	-	10	627643	627673	10000	
	110	76	-	1a	13	642102	647322		
M16	100	64	-	1a	13	642112	647332	10000	
	115	81	-	1a	13	642122	647342		
	160	124	-	1a	13	642132	647352		
	185	151	-	1a	13	642142	647362		
M20	120	84	-	1a	16	642152	647372	10000	
	185	149	-	1a	16	642162	647382		
M24	185	149	-	1a	19	642172	647392		

Item code for order = Part. + Code

* = Feet can be fixed to the floor.

- Protection cap material: stainless steel AISI 304.

- Base material: reinforced polypropylene with integrated anti-slip in thermoplastic rubber grey (70 Shore).

- The sealing of the internal structure guarantees a better hygiene.

- Note: for spindles type 1 ball in reinforced polyamide.

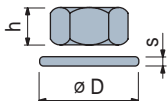
- Packaging: 24 pieces.

- On request different length.

- Fmax. = maximum applicable load in static conditions.

Accessories

Nut + Washer

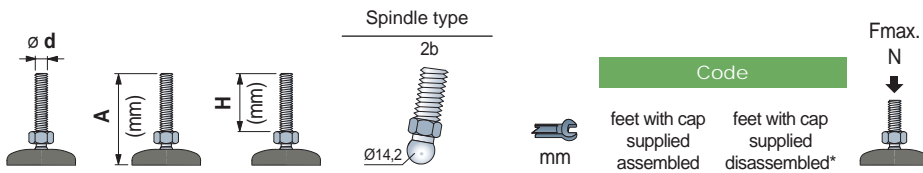


Code

	Stainless steel AISI 304	h mm	$\varnothing D$ mm	s mm
M10	R0000630182	8	17	2
M12	R0000630192	10	19	2,5
M14	R0000630202	11	22	2,5
M16	R0000630212	13	24	3
M20	R0000630222	16	30	3
M24	R0000630232	19	36	4

Packaging: 24 pieces (for M10).

8 pieces (for M12, M14, M16, M20, M24)



Spindle in stainless steel							
	A (mm)	H (mm)	Spindle type	mm	feet with cap supplied assembled	feet with cap supplied disassembled*	Fmax. N
M10	95	67	2b	14	641972	647292	10000
M12	85	55	2b	14	641982	647302	
	145	115	2b	14	641992	647312	

Item code for order = Part. + Code

* = Feet can be fixed to the floor.

- Protection cap material: stainless steel AISI 304.
- Base material: reinforced polypropylene with integrated anti-slip in thermoplastic rubber grey (70 Shore).
- The sealing of the internal structure guarantees a better hygiene.
- Note: for spindles type 1 ball in reinforced polyamide.
- Packaging: 24 pieces.
- On request different length.
- Fmax. = maximum applicable load in static conditions.

