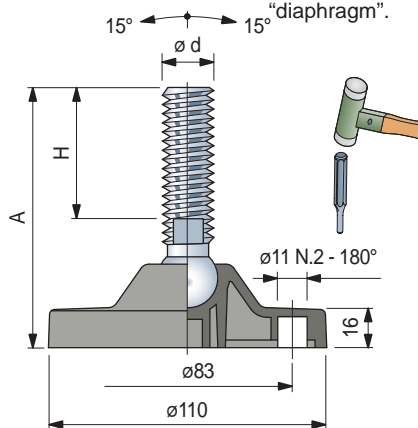


# R0479

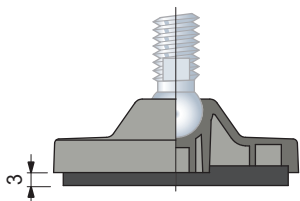


Fixing holes, obtainable by breaking "diaphragm".



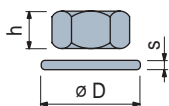
## Accessories

### Anti-slip



- Code: **R0000630062**.
- Material: NBR rubber (black), 70 Shore.
- Assembly: press-fit.
- Packaging: 16 pieces

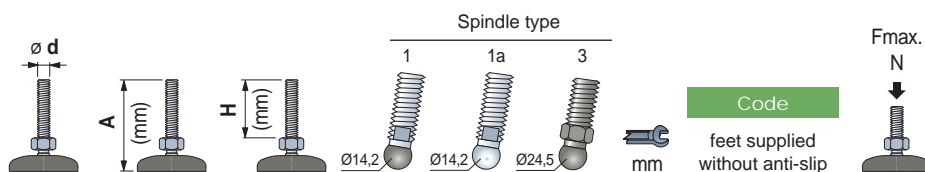
### Nut + Washer



#### Code

	Stainless steel AISI 304	Zinc plated steel	h mm	$\varnothing D$ mm	s mm
M12	R0000630192	R0000630122	10	19	24 2,5
M14	R0000630202	R0000630132	11	22	28 2,5
M16	R0000630212	R0000630142	13	24	30 3
M20	R0000630222	R0000630152	16	30	37 3
M24	R0000630232	R0000630162	19	36	44 4

Packaging: 8 pieces



### Spindle in stainless steel

Spindle	Code						Fmax. N
	Length	Height	Type	Ball	Washer	Foot	
M12	100	55	1	-	-	10	8000
	145	100	1	-	-	10	
	195	150	1	-	-	10	
M14	120	76	-	1a	-	11	15000
	195	150	-	1a	-	11	
M16	110	64	-	1a	-	13	15000
	125	81	-	1a	-	13	
	170	124	-	1a	-	13	
	195	151	-	1a	-	13	
	215	169	-	1a	-	13	
M20	130	84	-	1a	-	16	15000
	195	149	-	1a	-	16	
	255	208	-	1a	-	16	
M24	130	79	-	1a	-	19	15000
	195	146	-	1a	-	19	
	230	179	-	1a	-	19	
	260	209	-	1a	-	19	

### Spindle in zinc plated steel

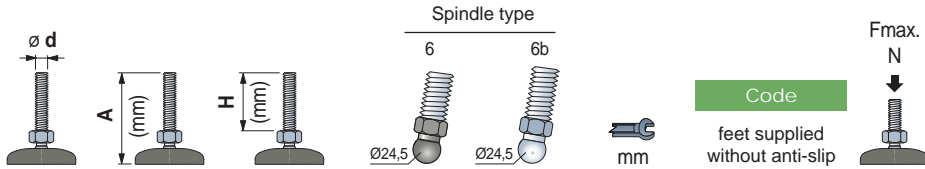
Spindle	Code						Fmax. N
	Length	Height	Type	Ball	Washer	Foot	
M12	115	70	1	-	-	10	8000
M14	100	56	-	1a	-	11	15000
	95	48	-	1a	-	13	
	105	61	-	1a	-	13	
	140	96	-	1a	-	13	
	160	116	-	1a	-	13	
	175	131	-	1a	-	13	
	195	151	-	1a	-	13	
M16	210	165	-	1a	-	13	15000
	245	201	-	1a	-	13	
	125	74	-	1a	-	16	
	140	100	-	1a	-	16	
	160	113	-	1a	-	16	
M20	190	150	-	1a	-	16	15000
	260	214	-	1a	-	16	
	130	81	-	1a	-	19	
	195	146	-	1a	-	19	
M24	340	288	-	1a	-	19	15000

### Spindle in reinforced polyamid (black) with steel pin

Spindle	Code						Fmax. N
	Length	Height	Type	Ball	Washer	Foot	
M16	110	54	-	-	3	24	6000
M20	130	69	-	-	3	30	
	190	129	-	-	3	30	

- Item code for order = Part. + Code
- Footplate material: reinforced polyamid PA FV (black).
- Note: for spindles type 1 ball in reinforced polyamid.
- Packaging: 16 pieces.
- Anti-slip supplied separately.
- On request different length.
- Fmax. = maximum applicable load in static conditions.

## Reinforced version



### Spindle in stainless steel

M12	110	53	6	-	19	636181N	20000
	160	103	6	-	19	636201N	
	205	149	6	-	19	636221N	
M14	160	103	6	-	19	636261N	
	205	149	6	-	19	636271N	
M16	110	53	6	-	24	636331N	
	125	74	-	6b	24	627422	
	160	109	-	6b	24	627432	
	195	144	-	6b	24	627442	
	210	159	-	6b	24	627452	
M20	235	181	-	6b	24	675591N1	
	125	74	-	6b	24	627462N	
	190	139	-	6b	24	627472N	
M24	255	204	-	6b	24	686561N1	
	130	79	-	6b	24	627482	
	230	179	-	6b	24	627492	

### Spindle in zinc plated steel

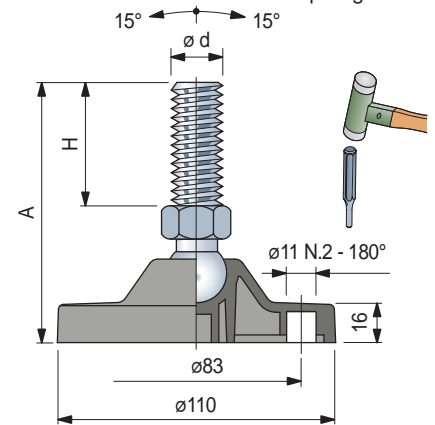
M12	120	64	6	-	19	675341N	20000
	105	54	-	6b	24	627532	
M16	140	89	-	6b	24	627542	
	170	119	-	6b	24	627552	
	205	154	-	6b	24	627562	
M20	125	76	-	6b	24	627572N	
	165	111	-	6b	24	627582N	
	190	141	-	6b	24	627592N	
	255	206	-	6b	24	627602N	
M24	130	79	-	6b	24	627612	
	195	144	-	6b	24	627622	
	340	288	-	6b	24	675501N1	

Item code for order = Part. + Code

- Footplate material: reinforced polyamide PA FV (black).
- Note: for spindles type 6 ball in reinforced polyamide.
- Packaging: 16 pieces.
- Anti-slip supplied separately.
- On request different length.
- Fmax. = maximum applicable load in static conditions.

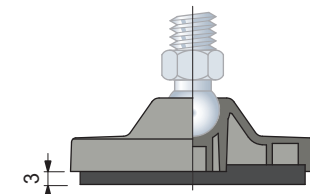


Fixing holes, obtainable by breaking "diaphragm".



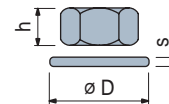
### Accessories

#### Anti-slip



- Code: **R0000630062**.
- Material: NBR rubber (black), 70 Shore.
- Assembly: press-fit.
- Packaging: 16 pieces

#### Nut + Washer



	Code					
	Stainless steel AISI 304	Zinc plated steel	h mm	ø D mm	s mm	
M12	R0000630192	R0000630122	10	19	24	2,5
M14	R0000630202	R0000630132	11	22	28	2,5
M16	R0000630212	R0000630142	13	24	30	3
M20	R0000630222	R0000630152	16	30	37	3
M24	R0000630232	R0000630162	19	36	44	4

Packaging: 8 pieces