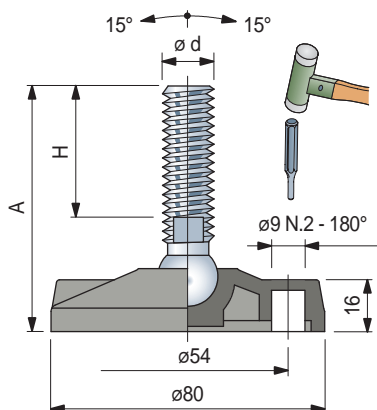


R0323

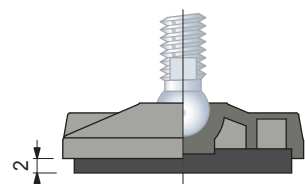


Fixing holes, obtainable by breaking "diaphragm".



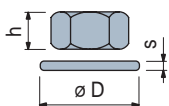
Accessories

Anti-slip




- Code: **R0000630042**.
- Material: NBR rubber (black), 70 Shore.
- Assembly: press-fit.
- Packaging: 24 pieces

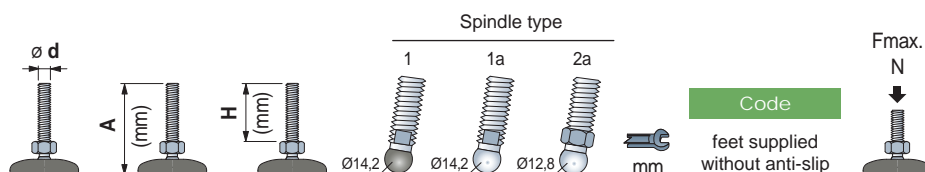
Nut + Washer



Code

	Stainless steel AISI 304	Zinc plated steel	h mm	 $\varnothing D$ mm	s mm
M8	-	R0000630102	6,5	13	1,6
M10	R0000630182	R0000630112	8	17	2
M12	R0000630192	R0000630122	10	19	2,5
M14	R0000630202	R0000630132	11	22	2,5
M16	R0000630212	R0000630142	13	24	3
M20	R0000630222	R0000630152	16	30	3
M24	R0000630232	R0000630162	19	36	4

Packaging: 24 pieces (for M8, M10).
8 pieces (for M12, M14, M16, M20, M24).



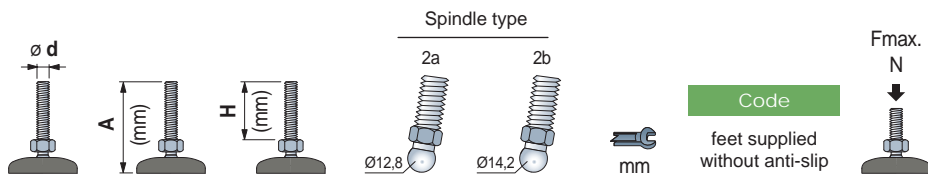
Spindle in stainless steel

Spindle	Length (mm)	Height (mm)	Type	Ball Diameter (mm)	Code	Fmax. N
M10	95	70	1	-	626993	8000
M12	95	70	1	-	627003	
	155	130	1	-	627013	10000
M14	105	76	-	1a	626572	
	95	64	-	1a	626582	
M16	110	81	-	1a	626592	
	155	124	-	1a	626602	
	180	151	-	1a	626612	
M20	115	84	-	1a	626622	
	180	149	-	1a	626632	
M24	180	146	-	1a	626642	

Spindle in zinc plated steel

Spindle	Length (mm)	Height (mm)	Type	Ball Diameter (mm)	Code	Fmax. N
M8	65	40	-	-	678901N	9000
	60	33	-	-	61384N	
M10	95	71	-	-	60464N	
	145	118	-	-	61404N	10000
M12	70	48	-	-	61414N	
	95	69	-	-	62313N	
	120	96	-	-	678941N	
M14	85	56	-	1a	626662	
	90	61	-	1a	626672	
	125	96	-	1a	626682	
M16	145	116	-	1a	626692	
	180	151	-	1a	626702	
	230	201	-	1a	627023	
	130	100	-	1a	626712	
M20	180	150	-	1a	626722	
	245	214	-	1a	626732	
M24	115	81	-	1a	626742	
	180	146	-	1a	626752	

- Item code for order = Part. + Code
- Footplate material: reinforced polyamide PA FV (black).
- Note: for spindles type 1 ball in reinforced polyamide.
- Packaging: 24 pieces.
- Anti-slip supplied separately.
- On request different length.
- Fmax. = maximum applicable load in static conditions.



Spindle in stainless steel

M10	95	71	2a	-	12	65686N	9000
M12	95	69	2a	-	12	65596N	
	155	132	2a	-	12	679061N	
M14	95	68	2a	-	12	626842	
M16	100	72	2a	-	15	626852	9000
	160	132	2a	-	15	626862	

Spindle in zinc plated steel

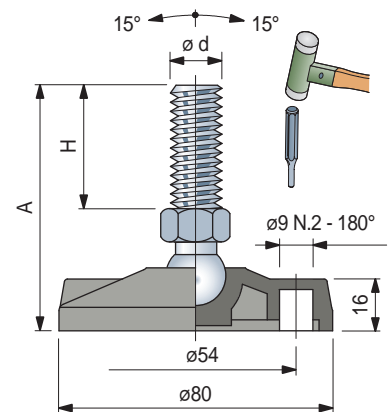
M16	75	48	-	2b	16	685981N	10000
	95	68	-	2b	16	62353N	
	115	89	-	2b	16	686001N	
	155	130	-	2b	16	686021N	
	190	165	-	2b	16	62383N	
	230	201	-	2b	16	679021N	

Item code for order = Part. + Code

- Footplate material : reinforced polyamide PA FV (black).
- Packaging : 24 pieces.
- Anti-slip supplied separately.
- On request different length.
- Fmax. = maximum applicable load in static conditions.

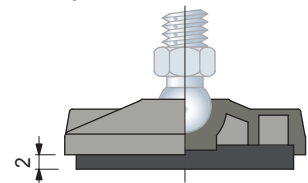


Fixing holes, obtainable by breaking "diaphragm".



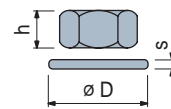
Accessories

Anti-slip



- Code: **R0000630042**.
- Material: NBR rubber (black), 70 Shore.
- Assembly: press-fit.
- Packaging: 24 pieces

Nut + Washer



Code

	Stainless steel AISI 304	Zinc plated steel	h mm	mm	$\varnothing D$ mm	s mm
M8	-	R0000630102	6,5	13	17	1,6
M10	R0000630182	R0000630112	8	17	21	2
M12	R0000630192	R0000630122	10	19	24	2,5
M14	R0000630202	R0000630132	11	22	28	2,5
M16	R0000630212	R0000630142	13	24	30	3
M20	R0000630222	R0000630152	16	30	37	3
M24	R0000630232	R0000630162	19	36	44	4

Packaging: 24 pieces (for M8, M10).
8 pieces (for M12, M14, M16, M20, M24).