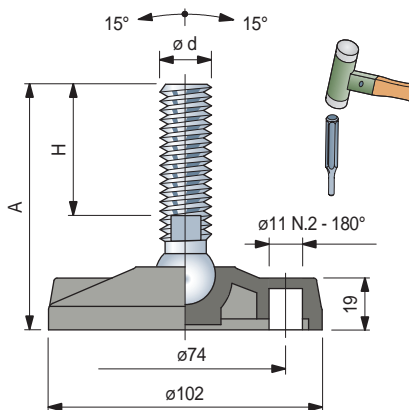


# R0133

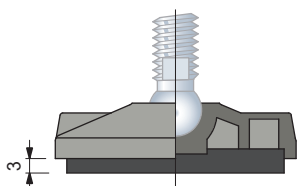


Fixing holes, obtainable by breaking "diaphragm".



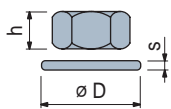
## Accessories

### Anti-slip




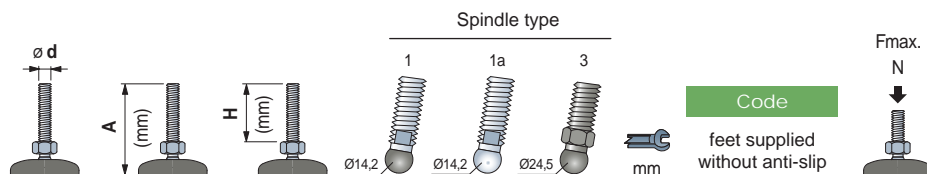
- Code: **R0000630052**.
- Material: NBR rubber (black), 70 Shore.
- Assembly: press-fit.
- Packaging: 24 pieces

### Nut + Washer



Code

	Stainless steel AISI 304	Zinc plated steel	h mm	 $\varnothing D$ mm	s mm
M12	R0000630192	R0000630122	10	19	2,5
M14	R0000630202	R0000630132	11	22	2,5
M16	R0000630212	R0000630142	13	24	3
M20	R0000630222	R0000630152	16	30	3
M24	R0000630232	R0000630162	19	36	4



## Spindle in stainless steel

	A	H	1	1a	3	mm	Code	Fmax. N
M12	90	55	1	-	-	10	<b>627033</b>	8000
	135	100	1	-	-	10	<b>627043</b>	
	185	150	1	-	-	10	<b>627053</b>	
M16	110	76	-	1a	-	11	<b>633192</b>	12000
	100	64	-	1a	-	13	<b>633202</b>	
	115	81	-	1a	-	13	<b>633212</b>	
	160	124	-	1a	-	13	<b>633222</b>	
	185	151	-	1a	-	13	<b>633232</b>	
M20	205	169	-	1a	-	13	<b>627083</b>	
	225	190	-	1a	-	13	<b>627093</b>	
	120	84	-	1a	-	16	<b>633242</b>	
	185	149	-	1a	-	16	<b>633252</b>	
	245	208	-	1a	-	16	<b>627103</b>	
M24	120	79	-	1a	-	19	<b>627113</b>	
	185	146	-	1a	-	19	<b>633262</b>	
	220	179	-	1a	-	19	<b>627123</b>	
	250	209	-	1a	-	19	<b>627133</b>	

## Spindle in zinc plated steel

	A	H	1	1a	3	mm	Code	Fmax. N
M12	105	70	1	-	-	10	<b>627143</b>	8000
M14	90	56	-	1a	-	11	<b>633282</b>	12000
	85	48	-	1a	-	13	<b>627153</b>	
	95	61	-	1a	-	13	<b>633292</b>	
	130	96	-	1a	-	13	<b>633302</b>	
	150	116	-	1a	-	13	<b>633312</b>	
M16	165	131	-	1a	-	13	<b>627163</b>	
	185	151	-	1a	-	13	<b>633322</b>	
	200	165	-	1a	-	13	<b>627173</b>	
	235	201	-	1a	-	13	<b>627183</b>	
	115	74	-	1a	-	16	<b>627193</b>	
M20	135	100	-	1a	-	16	<b>633332</b>	
	150	113	-	1a	-	16	<b>627203</b>	
	185	150	-	1a	-	16	<b>633342</b>	
	250	214	-	1a	-	16	<b>633352</b>	
	120	81	-	1a	-	19	<b>633362</b>	
M24	185	146	-	1a	-	19	<b>633372</b>	
	330	288	-	1a	-	19	<b>627213</b>	

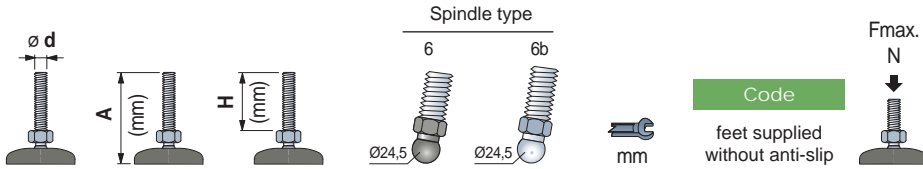
## Spindle in reinforced polyamid (black) with steel pin

	A	H	1	1a	3	mm	Code	Fmax. N
M16	100	54	-	-	3	24	<b>627292</b>	6000
M20	120	69	-	-	3	30	<b>627302</b>	
	180	129	-	-	3	30	<b>627312</b>	

Item code for order = Part. + Code

- Footplate material: reinforced polyamide PA FV (black).
- Note: for spindles type 1 ball in reinforced polyamide.
- Packaging: 24 pieces.
- Anti-slip supplied separately.
- On request different length.
- Fmax. = maximum applicable load in static conditions.

## Reinforced version



### Spindle in stainless steel

Spindle	A (mm)		Spindle type		mm	Code
	100	53	6	6b		
M12	100	53	6	-	19	679231N
	150	103	6	-	19	679251N
	195	149	6	-	19	679271N
M14	150	103	6	-	19	679311N
	195	149	6	-	19	679331N
M16	100	53	6	-	24	679351N
	115	74	-	6b	24	627212
	150	109	-	6b	24	627222
	185	144	-	6b	24	627232
	200	159	-	6b	24	627242
	220	181	-	6b	24	679461N1
M20	115	74	-	6b	24	627252N
	180	139	-	6b	24	627262N
	245	204	-	6b	24	686321N1
M24	120	79	-	6b	24	627272
	220	179	-	6b	24	627282

13000

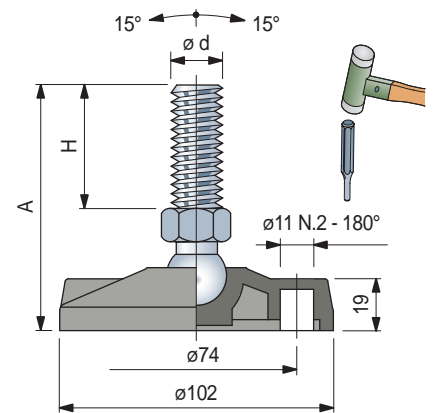
### Spindle in zinc plated steel

Spindle	A (mm)		Spindle type		mm	Code
	110	64	6	6b		
M12	110	64	6	-	19	679121N
M16	95	54	-	6b	24	627322
	130	89	-	6b	24	627332
	160	119	-	6b	24	627342
	195	154	-	6b	24	627352
M20	115	76	-	6b	24	627362N
	150	111	-	6b	24	627372N
	180	141	-	6b	24	627382N
M24	245	206	-	6b	24	627392N
	120	79	-	6b	24	627402
M24	185	144	-	6b	24	627412
	325	288	-	6b	24	679211N1

13000

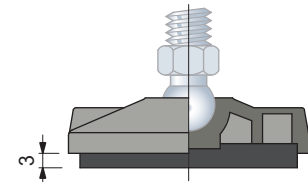


Fixing holes, obtainable by breaking "diaphragm".



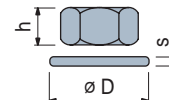
### Accessories

#### Anti-slip



- Code: **R0000630052**.
- Material: NBR rubber (black), 70 Shore.
- Assembly: press-fit.
- Packaging: 24 pieces

#### Nut + Washer



Spindle	Code		h mm	mm	mm	s mm
	Stainless steel AISI 304	Zinc plated steel				
M12	R0000630192	R0000630122	10	19	24	2,5
M14	R0000630202	R0000630132	11	22	28	2,5
M16	R0000630212	R0000630142	13	24	30	3
M20	R0000630222	R0000630152	16	30	37	3
M24	R0000630232	R0000630162	19	36	44	4

Packaging: 8 pieces

- Item code for order = Part. + Code
- Footplate material: reinforced polyamide PA FV (black).
- Note: for spindles type 6 ball in reinforced polyamide.
- Packaging: 24 pieces.
- Anti-slip supplied separately.
- On request different length.
- Fmax. = maximum applicable load in static conditions.