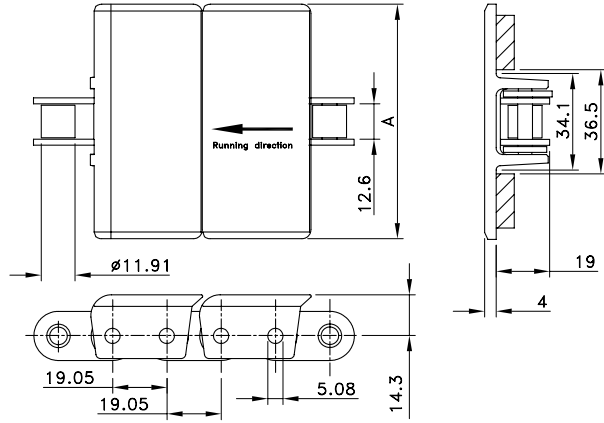
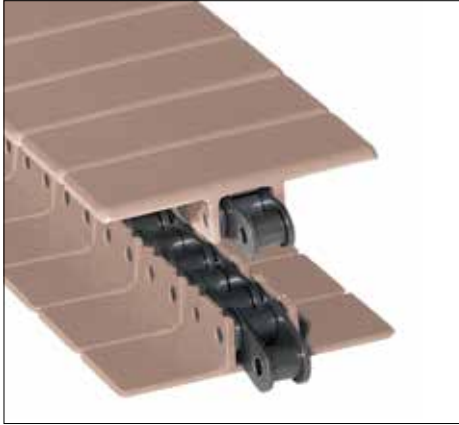


Straight Run $\frac{3}{4}$ " Pitch Plastic Top Plate



Chain Type	Code Number	Plate Width A		Weight kg/m	Loose Top Plate Code Number	Working Load (max.) N (21°C)	Connection Link	
		mm	inch				Type	Code Number
LF-Acetal Top Plate/Steel Base Chain								
LF 963-K325	L0963604431	82.5	3.25	2.10	114-139-5	2700	CL-63	36742
LF 963-K450	L0963604441	114.3	4.50	2.23	114-139-6			
LF 963-K600	L0963604451	152.4	6.00	2.53	114-139-7			
LF 963-K750	L0963604461	190.5	7.50	2.68	114-139-8			
LF-Acetal Top Plate/Stainless Steel Base Chain								
LF 963 SS-K325	L0963604471	82.5	3.25	2.10	114-139-5	1900	CL-63 SS	36747
LF 963 SS-K450	L0963604481	114.3	4.50	2.23	114-139-6			
LF 963 SS-K600	L0963604491	152.4	6.00	2.53	114-139-7			
LF 963 SS-K750	L0963604501	190.5	7.50	2.68	114-139-8			

Standard length: 3.048 m – 10 feet (160 links). Min. backflex radius 153 mm.