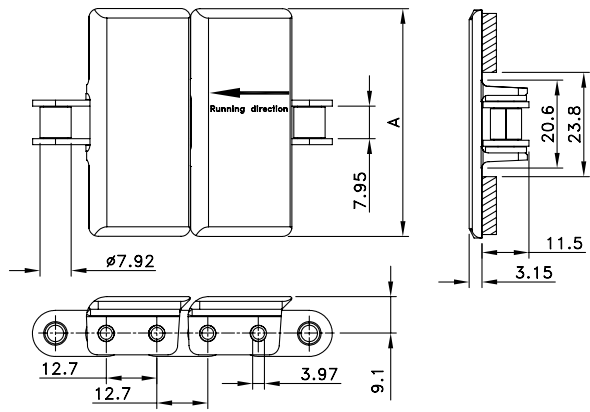
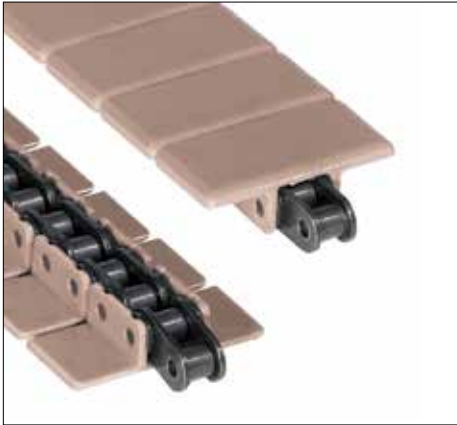


# Straight Run 1/2" Pitch Plastic Top Plate



Chain Type	Code Number	Plate Width A		Weight kg/m	Loose Top Plate Code Number	Working Load (max.) N (21°C)	Connection Link	
		mm	inch				Type	Code Number
<b>LF-Acetal Top Plate/Steel Base Chain</b>								
LF 843-K138	L0843604271	34.9	1.38	0.83	L0843621601	2700	CL-843	36418
LF 843-K144	L0843604281	36.5	1.44	0.84	L0000601742			
LF 843-K200	L0843604291	50.8	2.00	0.89	L0000669391			
LF 843-K325	L0843604301	82.5	3.25	1.03	L0843623581			
<b>LF-Acetal Top Plate/Stainless Steel Base Chain</b>								
LF 843 SS-K138	L0843604311	34.9	1.38	0.83	L0843621601	1900	CL-843 SS	69479
LF 843 SS-K144	L0843604321	36.5	1.44	0.84	L0000601742			
LF 843 SS-K200	L0843604331	50.8	2.00	0.89	L0000669391			
LF 843 SS-K325	L0843604341	82.5	3.25	1.03	L0843623581			

Standard length: 3.048 m – 10 feet (240 links).  
Min. backflex radius 153 mm.