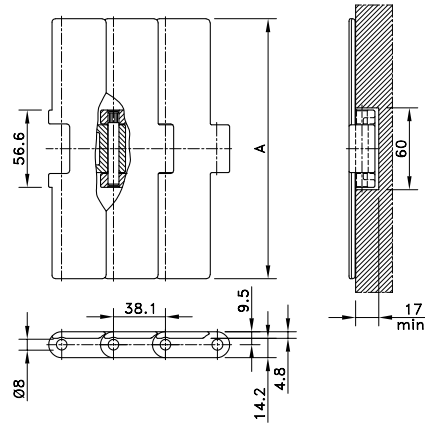


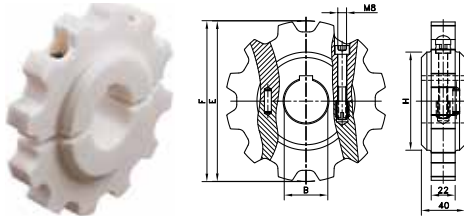
Straight Run Heavy Duty



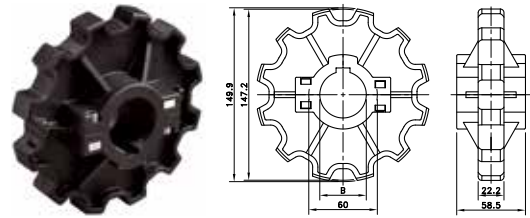
Chain Type	Code Number	Plate Width A		Weight kg/m	Working Load (max.) N (21°C)	Backflex Radius (min) mm	Plate Thickness mm
		mm	inch				
XL-Acetal							
HDS 750 XL	752.62.72	190.5	7.50	2.16	3830	50	4.8
HDS 1000 XL	752.62.90	254.0	10.00	2.42			
HDS 1200 XL	752.62.92	304.8	12.00	2.69			

Standard length: 3.048 m - 10 feet (80 links).

SS/SI HD



NS(X) 882



Sprocket Type	Code Number	Number of Teeth	Bore	Pitch Diameter	Outside Diameter	Width (Teeth)	Hub Width	Hub Diameter
			B mm/inch	E mm	F mm	C mm	A mm	H mm

Split Sprockets And Idlers, Machined - SS/SI HD

Sprockets, Metric Bores								
SS HD 11-25	754.63.71	11	25	135.2	135.4	22.0	40	90
SS HD 11-30	754.63.72	11	30					
SS HD 11-35	754.63.73	11	35					
SS HD 11-40	754.63.74	11	40					
SS HD 11-50	754.63.75	11	50					
SS HD 12-25	754.63.81	12	25	147.2	147.6	22.0	40	90
SS HD 12-30	754.63.82	12	30					
SS HD 12-35	754.63.83	12	35					
SS HD 12-40	754.63.84	12	40					
SS HD 12-50	754.63.85	12	50					

Sprockets, Inch Bores

SS HD 11-1	754.63.76	11	1.000"	135.2	135.4	22.0	40	90
SS HD 11-1 ³ / ₁₆	754.63.77	11	1.188"					
SS HD 11-1 ¹ / ₄	754.63.78	11	1.250"					
SS HD 11-1 ⁷ / ₁₆	754.63.79	11	1.438"					
SS HD 11-1 ¹ / ₂	754.63.80	11	1.500"					
SS HD 12-1	754.63.86	12	1.000"	147.2	147.6	22.0	40	90
SS HD 12-1 ³ / ₁₆	754.63.87	12	1.188"					
SS HD 12-1 ¹ / ₄	754.63.88	12	1.250"					
SS HD 12-1 ⁷ / ₁₆	754.63.89	12	1.438"					
SS HD 12-1 ¹ / ₂	754.63.90	12	1.500"					

Idlers, Metric Bores

SI HD 11-25	754.63.21	11	25	135.2	135.4	22.0	40	90
SI HD 11-30	754.63.22	11	30					
SI HD 11-35	754.63.23	11	35					
SI HD 11-40	754.63.24	11	40					
SI HD 11-50	754.63.25	11	50					
SI HD 12-25	754.63.31	12	25	147.2	147.6	22.0	40	90
SI HD 12-30	754.63.32	12	30					
SI HD 12-35	754.63.33	12	35					
SI HD 12-40	754.63.34	12	40					
SI HD 12-50	754.63.35	12	50					

For plastic chain series: 882, 883, HDF, HDFM, HDS

Split Sprockets and Idlers, Injection Moulded - NS(X) 882

Sprockets, Metric Bores								
NS882 12-25	L0882663551	12	25	147.2	149.9	22.2	58.5	60
NS882 12-30	L0882663561	12	30					
NS882 12-35	L0882663571	12	35					
NS882 12-40	L0882663581	12	40					
NS882 12-45	L0882663591	12	45					

Sprockets, Inch Bores*

NS882 12-1	L0882663601	12	1.000"	147.2	149.9	22.2	58.5	60
NS882 12-1 ¹ / ₄	L0882619072	12	1.250"					
NS882 12-1 ¹ / ₂	L0882619082	12	1.500"					

Idlers, Metric Bores

NSX882 12-25	L0882663641	12	25	147.2	149.9	22.2	58.5	60
NSX882 12-30	L0882663651	12	30					
NSX882 12-35	L0882663661	12	35					
NSX882 12-40	L0882663671	12	40					

For plastic chain series: 882, 883, HDF, HDFM, HDS.

* Ask Customer service for minimum order quantity of NS882 sprockets with inch bores.