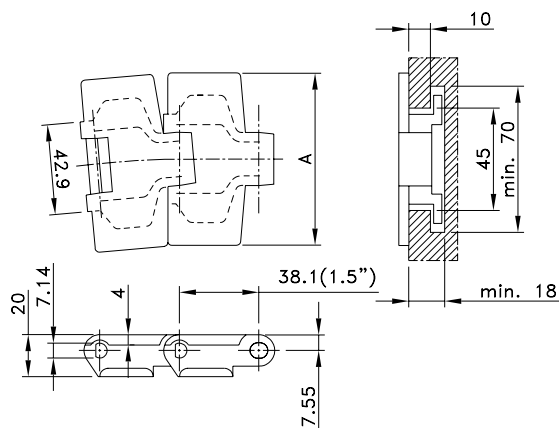


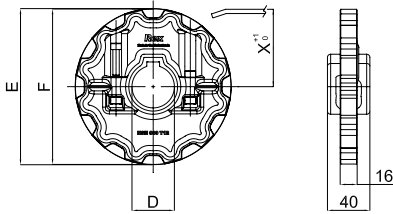
# Standard Radius Single Hinge Tab



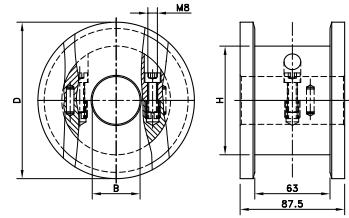
Chain Type	Code Number	Plate Width A		Weight kg/m	Sideflex Radius (min) mm	Working Load (max.) N (21°C)	Backflex Radius (min) mm	Plate Thickness mm
		mm	inch					
<b>XL-Acetal</b>								
RH 325 XL	751.42.31	82.5	3.25	0.94	457	2100	50	4.0
RH 450 XL	751.42.42	114.3	4.50	1.08				
<b>LF-Acetal</b>								
LF 880 TAB-K325	L0880604031	82.5	3.25	0.94	457	2100	40	4.0
LF 880 TAB-K343	L0880667941	87.0	3.43	1.01	500			
LF 880 TAB-K350	L0880641151	88.9	3.50	1.01		457		
LF 880 TAB-K450	L0880604041	114.3	4.50	1.08	500			
LF 880 TAB-K325 plastic pin*	L0880632221	82.5	3.25	0.74		457	1050	
LF 880 TAB-K325 non-magnetic pins*	L0880683712	82.5	3.25	0.94	500		2100	
LF 880 TAB-K450 plastic pin*	L0880648371	114.3	4.50	0.91		500	1050	
LF 880 TAB-K450 non-magnetic pins*	L0880605273	114.3	4.50	1.08	500		2100	
<b>HP-Acetal</b>								
HP 880 TAB-K325	L0880613141	82.5	3.25	0.94	457	2100	40	4.0
HP 880 TAB-K325 non-magnetic pins*	L0880613093	82.5	3.25	0.94				
HP 880 TAB-K450	L0880613151	114.3	4.50	1.08	500			
HP 880 TAB-K450 non-magnetic pins*	L0880620563	114.3	4.50	1.08				
<b>BWX-Polyamide Composite</b>								
BWX 880 TAB-K325	L0880652083	82.5	3.25	0.94	457	2100	40	4.0
BWX 880 TAB-K450	L0880648843	114.3	4.50	1.08	500			
<b>PSX Advanced Performance Polymer Alloy</b>								
PSX 880 TAB-K325	L0880655403	82.5	3.25	0.94	457	2100	40	4.0
PSX 880 TAB-K325 non magnetic pins*	L0880655433	82.5	3.25	0.94				
PSX 880 TAB-K450	L0880655443	114.3	4.50	1.08	500			
PSX 880 TAB-K450 non-magnetic pins*	L0880655453	114.3	4.50	1.08				

\* Pins made of black reinforced polyamide for non-magnetic or chemical applications. Minimum order quantity 30.48 mtr - 100 feet. Standard length: 3.048 m - 10 feet (80 links).

# NSH 880



# SD RH



Sprocket Type	Code Number	Number of Teeth	Bore	Pitch Diameter	Outside Diameter	Width (Teeth)	Hub Width	Hub Diameter
			B	E	F	C	A	H
			mm/inch	mm	mm	mm	mm	mm

### Split Sprockets Injection Moulded - NSH 880

Sprockets, Metric Bores								
NSH880 12-40	751.90.02	12	40	147.2	147.4	15.9	58.5	60
Sprockets, Inch Bores								
NSH880 12-1½"	751.90.05	12	1.5"	147.2	147.4	15.9	58.5	60

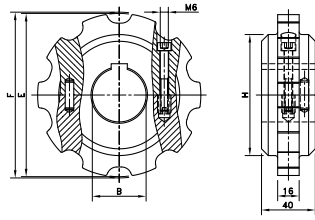
For plastic chain series: 879, 880, RH, RHD, RHM, RHMD, RHMP, RHMDP, SHP

### Split Idler Drums, Machined - SD RH

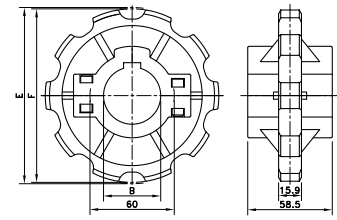
Metric Bores								
SD RH 131-25	754.10.62	10	25	123.3	131.0			
SD RH 131-30	754.10.63	10	30					
SD RH 131-35	754.10.64	10	35					
SD RH 131-40	754.10.65	10	40					
SD RH 131-50	754.10.66	10	50					
SD RH 143-25	754.11.82	11	25	135.2	143.0	87.5	87.5	--
SD RH 143-30	754.11.83	11	30					
SD RH 143-35	754.11.84	11	35					
SD RH 143-40	754.11.85	11	40					
SD RH 143-50	754.11.86	11	50					
SD RH 155-25	754.13.02	12	25	147.2	155.0			
SD RH 155-30	754.13.03	12	30					
SD RH 155-35	754.13.04	12	35					
SD RH 155-40	754.13.05	12	40					
SD RH 155-50	754.13.06	12	50					

For plastic chain series: 879-TAB, 880-TAB, RH, RHD.

**SS/SI RH**



**NS(X) 880**



Sprocket Type	Code Number	Number of Teeth	Bore	Pitch Diameter	Outside Diameter	Width (Teeth)	Hub Width	Hub Diameter
			B	E	F	C	A	H
			mm/inch	mm	mm	mm	mm	mm

**Split Sprockets And Idlers, Machined - SS/SI RH**

Sprockets, Metric Bores												
SS RH 9-25	754.60.51	9	25	111.4	109.0	16.0	40.0	75				
SS RH 9-30	754.60.52	9	30									
SS RH 9-35	754.60.53	9	35									
SS RH 9-40	754.60.54	9	40	123.3	121.4			16.0	40.0	90		
SS RH 10-25	754.60.61	10	25									
SS RH 10-30	754.60.62	10	30									
SS RH 10-35	754.60.63	10	35	135.2	133.9					16.0	40.0	90
SS RH 10-40	754.60.64	10	40									
SS RH 11-25	754.60.71	11	25									
SS RH 11-30	754.60.72	11	30	147.2	145.8	16.0	40.0					90
SS RH 11-35	754.60.73	11	35									
SS RH 11-40	754.60.74	11	40									
SS RH 12-25	754.60.81	12	25	147.2	145.8			16.0	40.0			90
SS RH 12-30	754.60.82	12	30									
SS RH 12-35	754.60.83	12	35									
SS RH 12-40	754.60.84	12	40									

Idlers, Metric Bores												
SI RH 9-25	754.60.01	9	25	111.4	109.0	16.0	40.0	75				
SI RH 9-30	754.60.02	9	30									
SI RH 9-35	754.60.03	9	35									
SI RH 9-40	754.60.04	9	40	123.3	121.4			16.0	40.0	90		
SI RH 10-25	754.60.11	10	25									
SI RH 10-30	754.60.12	10	30									
SI RH 10-35	754.60.13	10	35	135.2	133.9					16.0	40.0	90
SI RH 10-40	754.60.14	10	40									
SI RH 11-25	754.60.21	11	25									
SI RH 11-30	754.60.22	11	30	147.2	145.8	16.0	40.0					90
SI RH 11-35	754.60.23	11	35									
SI RH 11-40	754.60.24	11	40									
SI RH 12-25	754.60.31	12	25	147.2	145.8			16.0	40.0			90
SI RH 12-30	754.60.32	12	30									
SI RH 12-35	754.60.33	12	35									
SI RH 12-40	754.60.34	12	40									

For plastic chain series: 879, 880, RH, RHD, RHM, RHMD, RHMP, RHMDP, SHP

**Split Sprockets and Idlers, Injection Moulded - NS(X) 880**

Sprockets, Metric Bores										
NS880 10-25	L0880662171	10	25	123.3	122.5	15.9	58.5	60		
NS880 10-30	L0880662211	10	30							
NS880 10-35	L0880662251	10	35							
NS880 10-40	L0880662291	10	40							
NS880 10-45	L0880662331	10	45	147.2	147.4			15.9	58.5	60
NS880 12-25	L0880663151	12	25							
NS880 12-30	L0880663161	12	30							
NS880 12-35	L0880663171	12	35							
NS880 12-40	L0880663181	12	40	147.2	147.4					15.9
NS880 12-45	L0880663191	12	45							

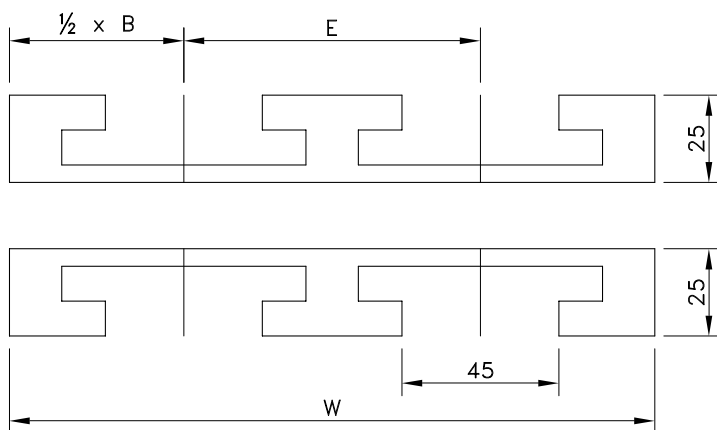
Sprockets, Inch Bores								
NS880 12-1	L0880663201	12	1.000"	147.2	147.4	15.9	58.5	60
NS880 12-1¼	L0880663241	12	1.250"					

Idlers, Metric Bores										
NSX880 10-25	L0880662401	10	25	123.3	122.5	15.9	58.5	60		
NSX880 10-30	L0880662421	10	30							
NSX880 10-35	L0880662441	10	35							
NSX880 10-40	L0880619422	10	40							
NSX880 12-25	L0880604082	12	25	147.2	147.4			15.9	58.5	60
NSX880 12-30	L0880604092	12	30							
NSX880 12-35	L0880699811	12	35							
NSX880 12-40	L0880604602	12	40							

For plastic chain series: 879, 880, RH, RHD, RHM, RHMD, RHMP, RHMDP, SHP.

\* Ask Customer service for minimum order quantity of NS880 sprockets with inch bores.

## KTX for single hinge chains



Number of Tracks	1	2	3	Pitch	Basic Width	Radius
				E	M	R
				mm	mm	mm

### Version KTX 013

Width W	100 mm	190 mm	280 mm	For 3.25" wide chains		
15°	L0KTX649933	L0KTX649943	L0KTX649953	90	100	500
30°	L0KTX649963	L0KTX649973	L0KTX649983			
45°	L0KTX649993	L0KTX650003	L0KTX650013			
60°	L0KTX650023	L0KTX650033	L0KTX650043			
75°	L0KTX650053	L0KTX650063	L0KTX650073			
90°	L0KTX650083	L0KTX650093	L0KTX650103			

### Version KTX 018

Width W	125 mm	245 mm	365 mm	For 4.50" wide chains		
15°	L0KTX650113	L0KTX650123	L0KTX650133	120	120	120
30°	L0KTX650143	L0KTX650153	L0KTX650163			
45°	L0KTX650173	L0KTX650183	L0KTX650193			
60°	L0KTX650203	L0KTX650213	L0KTX650223			
75°	L0KTX650233	L0KTX650243	L0KTX650253			
90°	L0KTX650263	L0KTX650273	L0KTX650283			

### Version KTU 013

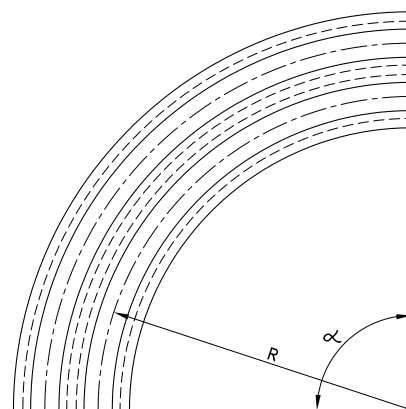
Width W	100 mm	190 mm	280 mm	For 3.25" wide chains		
15°	787.02.77	787.0 8.24	787.08.25	90	100	500
30°	787.05.60	787.08.29	787.08.30			
45°	787.03.08	787.04.06	787.08.34			
60°	787.05.71	787.08.38	787.08.39			
75°	787.05.77	787.08.43	787.08.44			
90°	787.00.02	787.00.51	787.00.50			

### Version KTU 018

Width W	125 mm	245 mm	365 mm	For 4.50" wide chains		
15°	787.08.49	787.08.50	787.08.51	120	125	610
30°	787.08.55	787.08.56	787.08.57			
45°	787.07.37	787.08.61	787.08.62			
60°	787.08.66	787.08.67	787.08.68			
75°	787.08.72	787.08.73	787.08.74			
90°	787.01.09	787.00.87	787.01.10			

### Version KTU 030

Width W	200 mm	395 mm	590 mm	For 7.50" wide chains		
15°	787.08.80	787.08.81	787.08.82	195	200	610
30°	787.08.86	787.08.87	787.08.88			
45°	787.08.92	787.08.93	787.08.94			
60°	787.08.98	787.08.99	787.09.00			
75°	787.09.04	787.09.05	787.09.06			
90°	787.00.07	787.01.11	787.01.12			



For steel chains:

- 8811 TAB
- 881 TAB
- 66 T 72 RM

For plastic chains:

- 880 TAB
- 880 TAB BO
- 879 TAB
- 879 TAB BO
- 880 TAB BOT
- RH
- RHD
- 1050 TAB
- 1055 TAB

## KTU for single hinge chains



The code nr. includes both upper and under part.