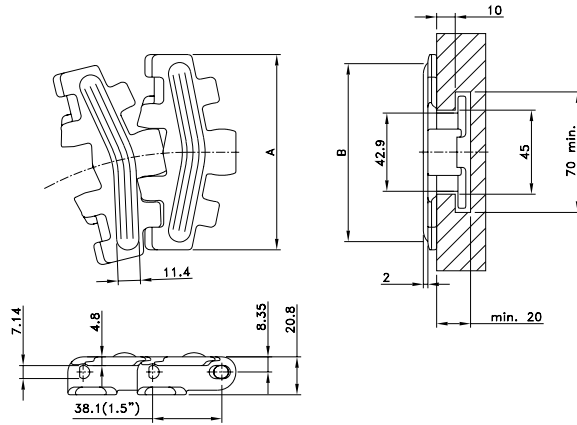


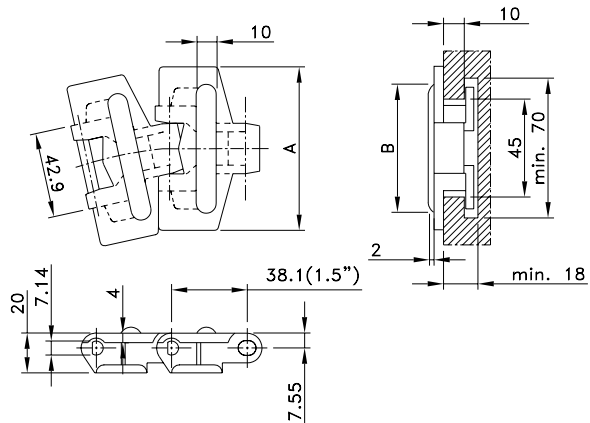
Small Radius Single Hinge Tab



Chain Type	Code Number	Plate Width		Weight	Working Load (max.)	Backflex Radius (min)	Sideflex Radius (min)	Plate Thickness
		A						
		mm	inch	kg/m	N (21°C)	mm	mm	mm
LF-Acetal								
HFP 879 BO-K325	L0879618812	82.5	3.25	1.08	2100	40	190	4,8
HFP 879 BO-K450	L0879605452	114.3	4.50	1.20				

Standard length: 3.048 m - 10 feet (80 links).
 The width (B) of the rubber varies per chain type:
 71 and 102 mm for respectively HFP 879 BO-K325 and HFP 879 BO-K450.
 Minimum order quantity 30.48 m – 100 feet.

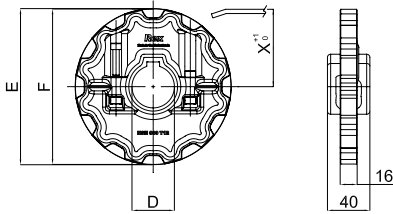
Small Radius Single Hinge Tab



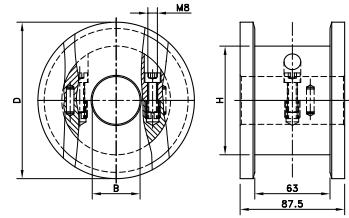
Chain Type	Code Number	Plate Width		Weight	Working Load (max.)	Backflex Radius (min)	Sideflex Radius (min)	Plate Thickness
		A						
		mm	inch	kg/m	N (21°C)	mm	mm	mm
LF-Acetal								
HFP 880 BOT-K325	L0880605222	82.5	3.25	0.96	1680	40	190	4.0

Standard length: 3.048 m - 10 feet (80 links).
 The width (B) of the rubber is 65 mm.
 Other rubber patterns and materials are possible.
 * Minimum order quantity 30.48 m – 100 feet.

NSH 880



SD RH



Sprocket Type	Code Number	Number of Teeth	Bore	Pitch Diameter	Outside Diameter	Width (Teeth)	Hub Width	Hub Diameter
			B	E	F	C	A	H
			mm/inch	mm	mm	mm	mm	mm

Split Sprockets Injection Moulded - NSH 880

Sprockets, Metric Bores								
NSH880 12-40	751.90.02	12	40	147.2	147.4	15.9	58.5	60
Sprockets, Inch Bores								
NSH880 12-1½"	751.90.05	12	1.5"	147.2	147.4	15.9	58.5	60

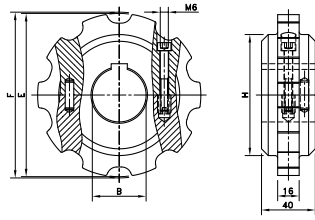
For plastic chain series: 879, 880, RH, RHD, RHM, RHMD, RHMP, RHMDP, SHP

Split Idler Drums, Machined - SD RH

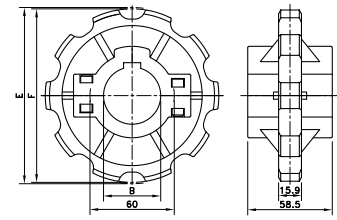
Metric Bores								
SD RH 131-25	754.10.62	10	25	123.3	131.0			
SD RH 131-30	754.10.63	10	30					
SD RH 131-35	754.10.64	10	35					
SD RH 131-40	754.10.65	10	40					
SD RH 131-50	754.10.66	10	50					
SD RH 143-25	754.11.82	11	25	135.2	143.0	87.5	87.5	--
SD RH 143-30	754.11.83	11	30					
SD RH 143-35	754.11.84	11	35					
SD RH 143-40	754.11.85	11	40					
SD RH 143-50	754.11.86	11	50					
SD RH 155-25	754.13.02	12	25	147.2	155.0			
SD RH 155-30	754.13.03	12	30					
SD RH 155-35	754.13.04	12	35					
SD RH 155-40	754.13.05	12	40					
SD RH 155-50	754.13.06	12	50					

For plastic chain series: 879-TAB, 880-TAB, RH, RHD.

SS/SI RH



NS(X) 880



Sprocket Type	Code Number	Number of Teeth	Bore	Pitch Diameter	Outside Diameter	Width (Teeth)	Hub Width	Hub Diameter
			B	E	F	C	A	H
			mm/inch	mm	mm	mm	mm	mm

Split Sprockets And Idlers, Machined - SS/SI RH

Sprockets, Metric Bores												
SS RH 9-25	754.60.51	9	25	111.4	109.0	16.0	40.0	75				
SS RH 9-30	754.60.52	9	30									
SS RH 9-35	754.60.53	9	35									
SS RH 9-40	754.60.54	9	40	123.3	121.4							
SS RH 10-25	754.60.61	10	25									
SS RH 10-30	754.60.62	10	30									
SS RH 10-35	754.60.63	10	35	135.2	133.9							
SS RH 10-40	754.60.64	10	40									
SS RH 11-25	754.60.71	11	25									
SS RH 11-30	754.60.72	11	30	147.2	145.8							
SS RH 11-35	754.60.73	11	35									
SS RH 11-40	754.60.74	11	40									
SS RH 12-25	754.60.81	12	25	147.2	145.8							
SS RH 12-30	754.60.82	12	30									
SS RH 12-35	754.60.83	12	35									
SS RH 12-40	754.60.84	12	40									

Idlers, Metric Bores

SI RH 9-25	754.60.01	9	25	111.4	109.0	16.0	40.0	75				
SI RH 9-30	754.60.02	9	30									
SI RH 9-35	754.60.03	9	35									
SI RH 9-40	754.60.04	9	40	123.3	121.4							
SI RH 10-25	754.60.11	10	25									
SI RH 10-30	754.60.12	10	30									
SI RH 10-35	754.60.13	10	35	135.2	133.9							
SI RH 10-40	754.60.14	10	40									
SI RH 11-25	754.60.21	11	25									
SI RH 11-30	754.60.22	11	30	147.2	145.8							
SI RH 11-35	754.60.23	11	35									
SI RH 11-40	754.60.24	11	40									
SI RH 12-25	754.60.31	12	25	147.2	145.8							
SI RH 12-30	754.60.32	12	30									
SI RH 12-35	754.60.33	12	35									
SI RH 12-40	754.60.34	12	40									

For plastic chain series: 879, 880, RH, RHD, RHM, RHMD, RHMP, RHMDP, SHP

Split Sprockets and Idlers, Injection Moulded - NS(X) 880

Sprockets, Metric Bores									
NS880 10-25	L0880662171	10	25	123.3	122.5	15.9	58.5	60	
NS880 10-30	L0880662211	10	30						
NS880 10-35	L0880662251	10	35						
NS880 10-40	L0880662291	10	40						
NS880 10-45	L0880662331	10	45	147.2	147.4				
NS880 12-25	L0880663151	12	25						
NS880 12-30	L0880663161	12	30						
NS880 12-35	L0880663171	12	35						
NS880 12-40	L0880663181	12	40	147.2	147.4				
NS880 12-45	L0880663191	12	45						

Sprockets, Inch Bores

NS880 12-1	L0880663201	12	1.000"	147.2	147.4	15.9	58.5	60
NS880 12-1¼	L0880663241	12	1.250"					

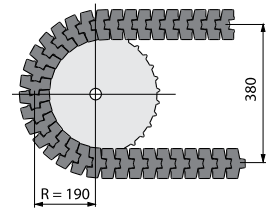
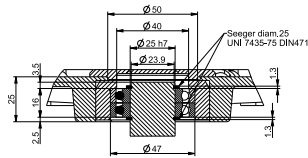
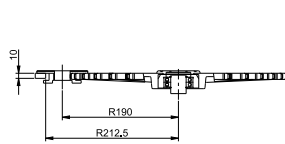
Idlers, Metric Bores

NSX880 10-25	L0880662401	10	25	123.3	122.5	15.9	58.5	60	
NSX880 10-30	L0880662421	10	30						
NSX880 10-35	L0880662441	10	35						
NSX880 10-40	L0880619422	10	40						
NSX880 12-25	L0880604082	12	25	147.2	147.4				
NSX880 12-30	L0880604092	12	30						
NSX880 12-35	L0880699811	12	35						
NSX880 12-40	L0880604602	12	40						

For plastic chain series: 879, 880, RH, RHD, RHM, RHMD, RHMP, RHMDP, SHP.

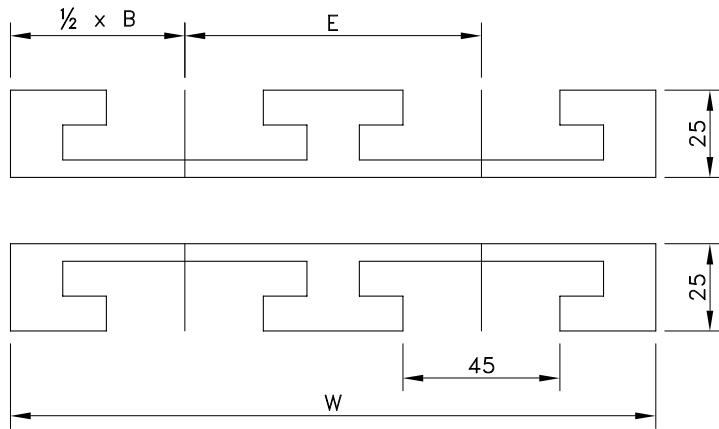
* Ask Customer service for minimum order quantity of NS880 sprockets with inch bores.

Corner Discs for TableTop Chains



Corner Disc Type	Code Number	Execution	Open / Closed	Pitch Diameter Chain	Outside Diameter F	Weight
				mm	mm	kg
For Plastic Slatband Tab Chains 879BO, 880BO, 880BO F, HFP880BOT and LBP879BO						
With 32 Teeth						
N880BOT32	L0880684051	drive	open	380	352	0.98
- clamping device not included (bore 50H7 mm)						
With 32 Teeth						
NX880BOT32	L0880698581	carry/return	closed	380	352	0.98
- inclusive 2x single race ball bearing 25x47x8 - contour symmetrical: no difference between carry and return corner disc - opened by breaking out diaphragm						
Without Teeth						
NXT880 BO	L0880632762	carry/return	closed	380	335	0.98
- inclusive 2x single race ball bearing 25x47x8. - contour symmetrical: no difference between carry and return corner disc. - opened by breaking out diaphragm.						

KTX for single hinge chains



Number of Tracks	1	2	3	Pitch	Basic Width	Radius
				E	M	R
				mm	mm	mm

Version KTX 013

Width W	100 mm	190 mm	280 mm	For 3.25" wide chains		
15°	L0KTX649933	L0KTX649943	L0KTX649953	90	100	500
30°	L0KTX649963	L0KTX649973	L0KTX649983			
45°	L0KTX649993	L0KTX650003	L0KTX650013			
60°	L0KTX650023	L0KTX650033	L0KTX650043			
75°	L0KTX650053	L0KTX650063	L0KTX650073			
90°	L0KTX650083	L0KTX650093	L0KTX650103			

Version KTX 018

Width W	125 mm	245 mm	365 mm	For 4.50" wide chains		
15°	L0KTX650113	L0KTX650123	L0KTX650133	120	120	120
30°	L0KTX650143	L0KTX650153	L0KTX650163			
45°	L0KTX650173	L0KTX650183	L0KTX650193			
60°	L0KTX650203	L0KTX650213	L0KTX650223			
75°	L0KTX650233	L0KTX650243	L0KTX650253			
90°	L0KTX650263	L0KTX650273	L0KTX650283			

Version KTU 013

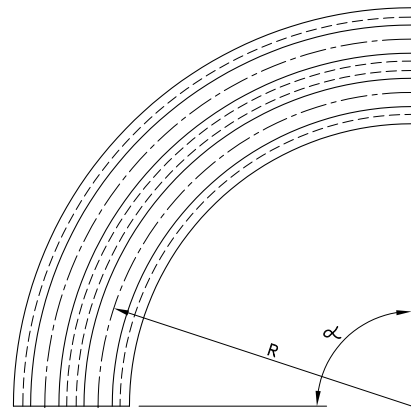
Width W	100 mm	190 mm	280 mm	For 3.25" wide chains		
15°	787.02.77	787.0 8.24	787.08.25	90	100	500
30°	787.05.60	787.08.29	787.08.30			
45°	787.03.08	787.04.06	787.08.34			
60°	787.05.71	787.08.38	787.08.39			
75°	787.05.77	787.08.43	787.08.44			
90°	787.00.02	787.00.51	787.00.50			

Version KTU 018

Width W	125 mm	245 mm	365 mm	For 4.50" wide chains		
15°	787.08.49	787.08.50	787.08.51	120	125	610
30°	787.08.55	787.08.56	787.08.57			
45°	787.07.37	787.08.61	787.08.62			
60°	787.08.66	787.08.67	787.08.68			
75°	787.08.72	787.08.73	787.08.74			
90°	787.01.09	787.00.87	787.01.10			

Version KTU 030

Width W	200 mm	395 mm	590 mm	For 7.50" wide chains		
15°	787.08.80	787.08.81	787.08.82	195	200	610
30°	787.08.86	787.08.87	787.08.88			
45°	787.08.92	787.08.93	787.08.94			
60°	787.08.98	787.08.99	787.09.00			
75°	787.09.04	787.09.05	787.09.06			
90°	787.00.07	787.01.11	787.01.12			



For steel chains:

- 8811 TAB
- 881 TAB
- 66 T 72 RM

For plastic chains:

- 880 TAB
- 880 TAB BO
- 879 TAB
- 879 TAB BO
- 880 TAB BOT
- RH
- RHD
- 1050 TAB
- 1055 TAB

KTU for single hinge chains



The code nr. includes both upper and under part.