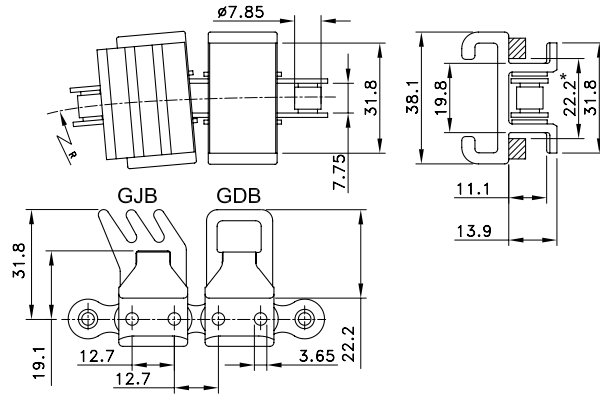


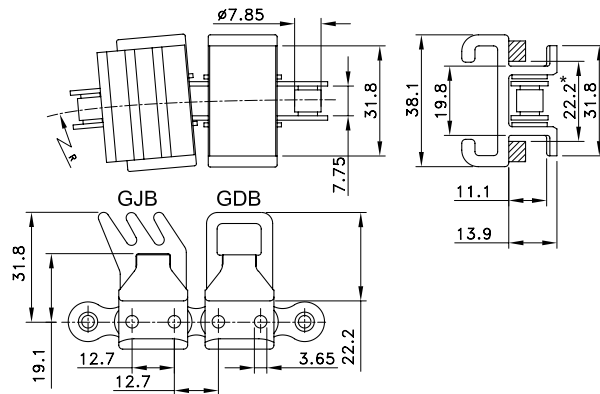
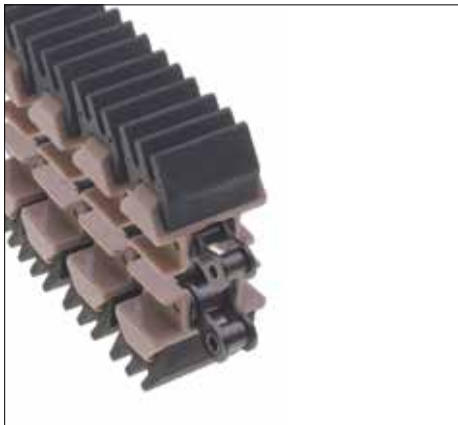
Gripper 1/2" Pitch Plastic Tab



Chain Type	Code Number	Plate Width A		Weight kg/m	Working Load (max.) N (21°C)	Sideflex Radius (min) mm	Connection Link	
		mm	inch				Type	Code Number
LF-Acetal Top Plate/Steel Base Chain								
LF 1843 TAB-K150 GDB	L1843606461	38.1	1.50	1.20	2700	254	CL-1843	1843-MO-CL
LF-Acetal Top Plate/Stainless Steel Base Chain								
LF 1843 TABSS-K150 GDB	L1843606481	38.1	1.50	1.20	1900	254	CL-1843 SS	1843 SS-MO-CL

Standard length: 3.048 m – 10 feet (240 links).
Gripper: EPDM black, 40 shore A hardness.

3-Finger Gripper 1/2" Pitch Plastic Tab



Chain Type	Code Number	Plate Width A		Weight kg/m	Working Load (max.) N (21°C)	Sideflex Radius (min) mm	Connection Link	
		mm	inch				Type	Code Number
LF-Acetal Top Plate/Steel Base Chain								
LF 1843 TAB-K150 GJB	L1843606471	38.1	1.50	1.20	2700	254	CL-1843	1843-MO-CL
LF-Acetal Top Plate/Stainless Steel Base Chain								
LF 1843 TABSS-K150 GJB	L1843606491	38.1	1.50	1.20	1900	254	CL-1843 SS	1843 SS-MO-CL

Standard length: 3.048 m – 10 feet (240 links).
Gripper: EPDM black, 40 shore A hardness.