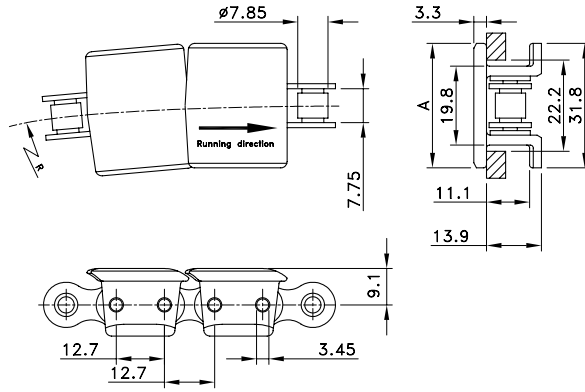
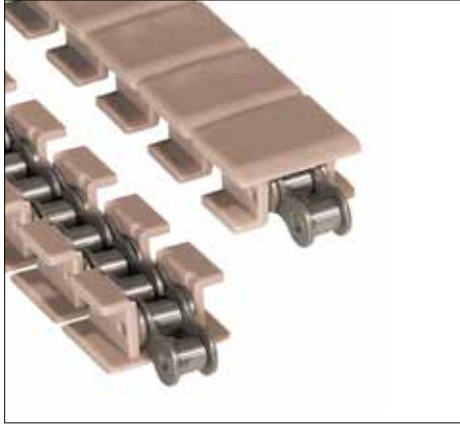


Sideflex 1/2" Pitch Tab Plastic Top Plate



Chain Type	Code Number	Plate Width A		Weight kg/m	Loose Top Plate Code Number	Working Load (max.) N (21°C)	Sideflex Radius (min) mm	Connection Link	
		mm	inch					Type	Code Number
LF-Acetal Top Plate/Steel Base Chain									
LF 1843 TAB-K125	L1843604601	31.8	1.25	0.74	114-495-1	2700	254	CL-1843	1843-MO-CL
LF 1843 TAB-K200	L1843688961	50.8	2.00	0.90	114-1448-1				

Standard length: 3.048 m – 10 feet (240 links).
 Min. backflex radius 102 mm.