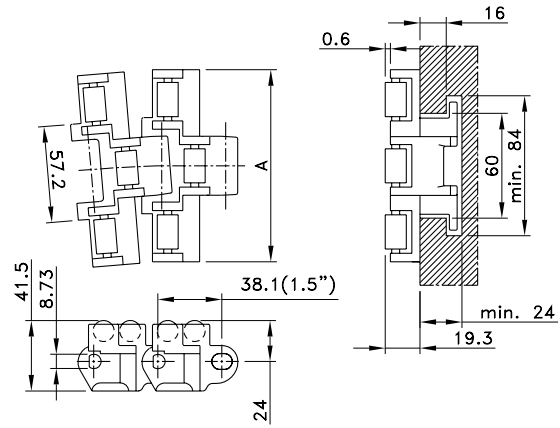


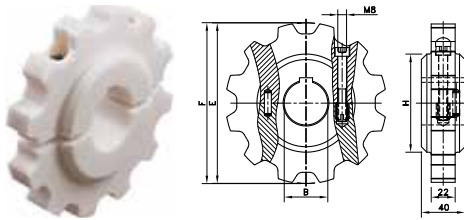
Standard Radius Single Hinge LBP



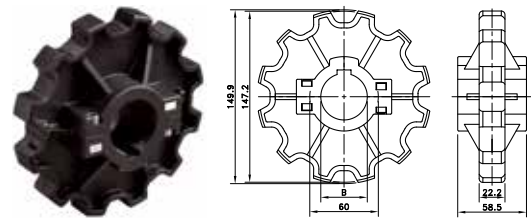
Chain Type	Code Number	Plate Width A		Weight kg/m	Sideflex Radius (min) mm	Working Load (max.) N (21°C)	Backflex Radius (min) mm	Plate Thickness mm
		mm	inch					
LF-Acetal								
LBP 883 TAB-K450	LBP883TK4.5	114.3	4.50	2.50	610	3830	51	4,8
LBP 883 TAB-K750	LBP883TK7.5	190.5	7.50	3.40				

Standard length: 3.048 m - 10 feet (80 links).

SS/SI HD



NS(X) 882



Sprocket Type	Code Number	Number of Teeth	Bore	Pitch Diameter	Outside Diameter	Width (Teeth)	Hub Width	Hub Diameter
			B	E	F	C	A	H
			mm/inch	mm	mm	mm	mm	mm

Split Sprockets And Idlers, Machined - SS/SI HD

Sprockets, Metric Bores								
SS HD 11-25	754.63.71	11	25	135.2	135.4	22.0	40	90
SS HD 11-30	754.63.72	11	30					
SS HD 11-35	754.63.73	11	35					
SS HD 11-40	754.63.74	11	40					
SS HD 11-50	754.63.75	11	50					
SS HD 12-25	754.63.81	12	25	147.2	147.6	22.0	40	90
SS HD 12-30	754.63.82	12	30					
SS HD 12-35	754.63.83	12	35					
SS HD 12-40	754.63.84	12	40					
SS HD 12-50	754.63.85	12	50					

Sprockets, Inch Bores

SS HD 11-1	754.63.76	11	1.000"	135.2	135.4	22.0	40	90
SS HD 11-1 ³ / ₁₆	754.63.77	11	1.188"					
SS HD 11-1 ¹ / ₄	754.63.78	11	1.250"					
SS HD 11-1 ⁷ / ₁₆	754.63.79	11	1.438"					
SS HD 11-1 ¹ / ₂	754.63.80	11	1.500"					
SS HD 12-1	754.63.86	12	1.000"	147.2	147.6	22.0	40	90
SS HD 12-1 ³ / ₁₆	754.63.87	12	1.188"					
SS HD 12-1 ¹ / ₄	754.63.88	12	1.250"					
SS HD 12-1 ⁷ / ₁₆	754.63.89	12	1.438"					
SS HD 12-1 ¹ / ₂	754.63.90	12	1.500"					

Idlers, Metric Bores

SI HD 11-25	754.63.21	11	25	135.2	135.4	22.0	40	90
SI HD 11-30	754.63.22	11	30					
SI HD 11-35	754.63.23	11	35					
SI HD 11-40	754.63.24	11	40					
SI HD 11-50	754.63.25	11	50					
SI HD 12-25	754.63.31	12	25	147.2	147.6	22.0	40	90
SI HD 12-30	754.63.32	12	30					
SI HD 12-35	754.63.33	12	35					
SI HD 12-40	754.63.34	12	40					
SI HD 12-50	754.63.35	12	50					

For plastic chain series: 882, 883, HDF, HDFM, HDS

Split Sprockets and Idlers, Injection Moulded - NS(X) 882

Sprockets, Metric Bores								
NS882 12-25	L0882663551	12	25	147.2	149.9	22.2	58.5	60
NS882 12-30	L0882663561	12	30					
NS882 12-35	L0882663571	12	35					
NS882 12-40	L0882663581	12	40					
NS882 12-45	L0882663591	12	45					

Sprockets, Inch Bores*

NS882 12-1	L0882663601	12	1.000"	147.2	149.9	22.2	58.5	60
NS882 12-1 ¹ / ₄	L0882619072	12	1.250"					
NS882 12-1 ¹ / ₂	L0882619082	12	1.500"					

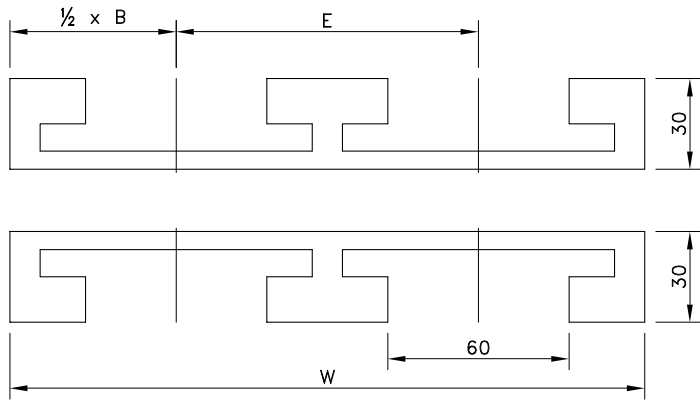
Idlers, Metric Bores

NSX882 12-25	L0882663641	12	25	147.2	149.9	22.2	58.5	60
NSX882 12-30	L0882663651	12	30					
NSX882 12-35	L0882663661	12	35					
NSX882 12-40	L0882663671	12	40					

For plastic chain series: 882, 883, HDF, HDFM, HDS.

* Ask Customer service for minimum order quantity of NS882 sprockets with inch bores.

KTU 200 For Heavy Duty Chains



Number of Tracks	1	2	3	Pitch E	Basic Width M	Radius R
				mm	mm	mm

Version KTU 215

Width W	110 mm	210 mm	310 mm	For 3.25" and 3.75" wide		
15°	787.12.09	787.12.10	787.12.11	100	110	700
30°	787.12.15	787.12.16	787.12.17			
45°	787.12.21	787.12.22	787.12.23			
60°	787.12.27	787.12.28	787.12.29			
75°	787.12.33	787.12.34	787.12.35			
90°	787.00.05	787.12.39	787.12.40			

Version KTU 218

Width W	130 mm	250 mm	370 mm	For 4.50" wide chains		
15°	787.11.08	787.11.09	787.11.10	120	130	610
30°	787.11.14	787.11.15	787.11.16			
45°	787.04.69	787.11.20	787.11.21			
60°	787.04.07	787.11.25	787.11.26			
75°	787.11.30	787.11.31	787.11.32			
90°	787.02.80	787.07.80	787.11.36			

Version KTU 230

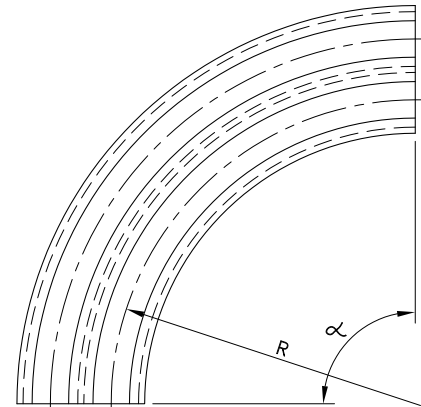
Width W	210 mm	405 mm	600 mm	For 7.50" wide chains		
15°	787.11.40	787.11.41	787.11.42	195	210	610
30°	787.11.46	787.11.47	787.11.48			
45°	787.04.68	787.11.52	787.11.53			
60°	787.11.57	787.11.58	787.11.59			
75°	787.11.63	787.11.64	787.11.65			
90°	787.00.54	787.11.69	787.11.70			

Version KTU 240

Width W	270 mm	530 mm	790 mm	For 10.00" wide chains		
15°	787.11.74	787.11.75	787.11.76	260	270	610
30°	787.11.80	787.11.81	787.11.82			
45°	787.11.86	787.11.87	787.11.88			
60°	787.11.92	787.11.93	787.11.94			
75°	787.11.98	787.11.99	787.12.00			
90°	787.00.06	787.03.26	787.12.04			

Version KTU 248

Width W	320 mm	630 mm	940 mm	For 12.00" wide chains *		
15°	787.12.44	787.12.45	787.12.46	310	320	610
30°	787.12.50	787.12.51	787.12.52			
45°	787.12.56	787.12.57	787.12.58			
60°	787.12.62	787.12.63	787.12.64			
75°	787.12.68	787.12.69	787.12.70			
90°	787.00.21	787.12.74	787.12.75			



For plastic chains:

- 882 TAB
- 883 TAB
- HDF

* Not for LBP 1200 chains.
The code nr. includes both upper and under part.