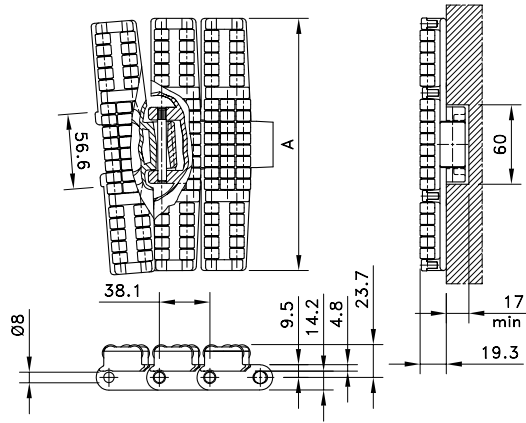


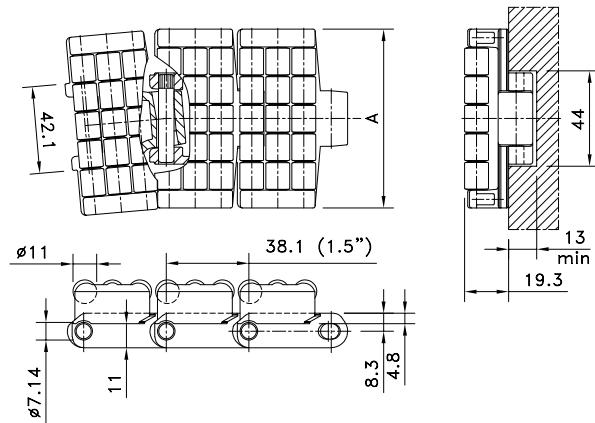
## Magnetflex® Heavy Duty LBP



Chain Type	Code Number	Plate Width A		Weight kg/m	Sideflex Radius (min) mm	Working Load (max.) N (21°C)	Backflex Radius (min) mm	Plate Thickness mm
		mm	inch					
<b>XLA-Acetal</b>								
HDFM 750 LBP	752.88.13	190.5	7.50	4.28	610	3830	200	4.8
HDFM 1000 LBP	752.88.19	254.0	10.00	5.23				
HDFM 1200 LBP	752.88.20	304.8	12.00	5.83				

Standard length: 1.524 m - 5 feet (40 links).

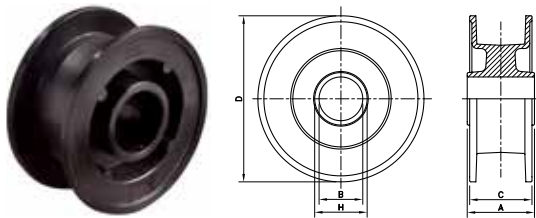
## Magnetflex® LBP



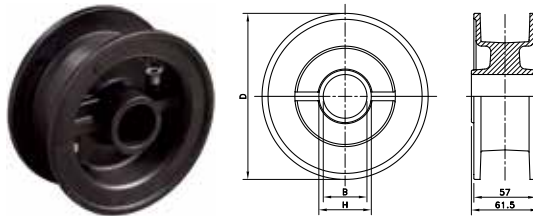
Chain Type	Code Number	Plate Width A		Weight kg/m	Sideflex Radius (min) mm	Working Load (max.) N (21°C)	Backflex Radius (min) mm	Plate Thickness mm
		mm	inch					
<b>XLA-Acetal</b>								
RHMD 325 LBP	752.87.09	82.5	3.25	2.29	500	2100	400	4.8

Standard length: 1.524 m - 5 feet (40 links).

## NXT 820



## NSXT 820



Sprocket Type	Code Number	Number of Teeth	Bore	Pitch Diameter	Outside Diameter	Width (Teeth)	Hub Width	Hub Diameter
			B	E	F	C	A	H
			mm/inch	mm	mm	mm	mm	mm

### Classic Idler Drums, Injection Moulded - NXT 820

Metric Bores								
NXT820 15-25	L0820662461	15	25	--	95.5	55.0	92.0	40
NXT820 15-30	L0820662471	15	30	--	95.5	55.0	92.0	40
NXT820 17-25	L0820661701	17	25	--	106.5	53.0	57.0	42
NXT820 17-30	L0820661711	17	30	--	106.5	53.0	57.0	42
NXT820 18-25	L0820661801	18	25	--	113.0	57.0	92.0	40
NXT820 18-30	L0820661811	18	30	--	113.0	57.0	92.0	40
NXT820 19-25	L0820661471	19	25	--	118.0	57.0	57.0	42
NXT820 19-30	L0820661481	19	30	--	118.0	57.0	57.0	42
NXT820 19-40	L0820661491	19	40	--	118.0	57.0	57.0	51
NXT820 21-25	L0820662091	21	25	--	130.0	60.0	61.5	35
NXT820 21-30	L0820662101	21	30	--	130.0	60.0	61.5	40
NXT820 21-35	L0820662121	21	35	--	130.0	60.0	61.5	45
NXT820 21-40	L0820662111	21	40	--	130.0	60.0	61.5	50
NXT820 23-25	L0820661821	23	25	--	142.5	59.5	61.5	35
NXT820 23-30	L0820661831	23	30	--	142.5	59.5	61.5	40
NXT820 23-35	L0820661861	23	35	--	142.5	59.5	61.5	45
NXT820 23-40	L0820661841	23	40	--	142.5	59.5	61.5	50
NXT820 25-25	L0820661721	25	25	--	154.5	59.0	61.5	35
NXT820 25-30	L0820661731	25	30	--	154.5	59.0	61.5	40
NXT820 25-35	L0820661741	25	35	--	154.5	59.0	61.5	45
NXT820 25-40	L0820661751	25	40	--	154.5	59.0	61.5	50
Inch Bores								
NXT820 21-1	L0820619132	21	1.00"	--	130.0	60.0	61.5	35
NXT820 21-1¼	L0820688801	21	1.25"	--	130.0	60.0	61.5	40
NXT820 21-1½	L0820688811	21	1.50"	--	130.0	60.0	61.5	45
NXT820 23-1¼	L0820661891	23	1.25"	--	142.5	59.5	61.5	40
NXT820 23-1½	L0820661881	23	1.50"	--	142.5	59.5	61.5	45
NXT820 25-1	L0820619142	25	1.00"	--	154.5	59.0	61.5	35
NXT820 25-1¼	L0820661761	25	1.25"	--	154.5	59.0	61.5	40
NXT820 25-1½	L0820661771	25	1.50"	--	154.5	59.0	61.5	45

For steel chain series: **Rexnord**: 812 (except TAB and mini hinge), 815, 881 (except TAB), 8811 (except TAB).

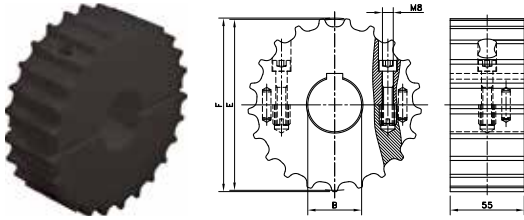
**MCC**: single hinge straight run, single hinge Magnetflex.

For plastic chain series: 879-Bevel, 880-Bevel, 820, 831, SH, SHD, RHM, RHMD, RHMP, RHMDP, SHP.

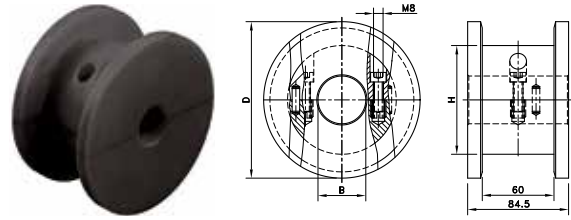
### Split Idler Drums, Injection Moulded - NSXT 820

Metric Bores								
NSXT 820 21-25	L0820665821	21	25	--	130.0	57.0	61.5	40
NSXT 820 21-30	L0820664861	21	30	--	130.0	57.0	61.5	40
NSXT 820 21-35	L0820664881	21	35	--	130.0	57.0	61.5	50
NSXT 820 21-40	L0820665841	21	40	--	130.0	57.0	61.5	50
NSXT 820 23-25	L0820665861	23	25	--	142.5	57.0	61.5	40
NSXT 820 23-30	L0820665881	23	30	--	142.5	57.0	61.5	40
NSXT 820 23-35	L0820665901	23	35	--	142.5	57.0	61.5	50
NSXT 820 23-40	L0820665921	23	40	--	142.5	57.0	61.5	50
NSXT 820 25-25	L0820665591N	25	25	--	154.5	57.0	61.5	35
NSXT 820 25-30	L0820665941N	25	30	--	154.5	57.0	61.5	40
NSXT 820 25-35	L0820665961N	25	35	--	154.5	57.0	61.5	45
NSXT 820 25-40	L0820664901N	25	40	--	154.5	57.0	61.5	50
NSXT 820 25-45	L0820697961N	25	45	--	154.5	57.0	61.5	50

## SS/SI 75



## SD 75



### Split Sprockets And Idlers, Machined - SS/SI 75

#### Sprockets, Metric Bores

SS 75 21-25	753.63.61	21	25	129.3	130.0	55.0	55.0	-
SS 75 21-30	753.63.62	21	30					
SS 75 21-35	753.63.63	21	35					
SS 75 21-40	753.63.64	21	40					
SS 75 21-50	753.63.65	21	50					
SS 75 25-25	753.63.81	25	25	153.2	153.9	55.0	55.0	-
SS 75 25-30	753.63.82	25	30					
SS 75 25-35	753.63.83	25	35					
SS 75 25-40	753.63.84	25	40					
SS 75 25-50	753.63.85	25	50					

#### Idlers, Metric Bores

SI 75 21-25	753.63.11	21	25	129.3	130.0	55.0	55.0	-
SI 75 21-30	753.63.12	21	30					
SI 75 21-35	753.63.13	21	35					
SI 75 21-40	753.63.14	21	40					
SI 75 21-50	753.63.15	21	50					
SI 75 25-25	753.63.31	25	25	153.2	153.9	55.0	55.0	-
SI 75 25-30	753.63.32	25	30					
SI 75 25-35	753.63.33	25	35					
SI 75 25-40	753.63.34	25	40					
SI 75 25-50	753.63.35	25	50					

For steel chain series: MCC: straight run heavy duty, heavy duty Magnetflex

### Split Idler Drums, Machined - SD 75

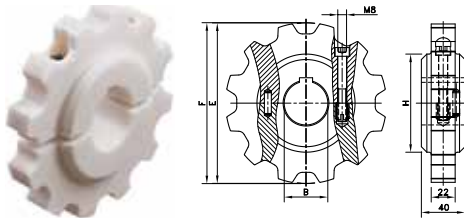
#### Metric Bores

SD 75 131-20	754.10.46	21	20	129.3	131.0	84.5	84.5	91
SD 75 131-25	754.10.47	21	25					
SD 75 131-30	754.10.48	21	30					
SD 75 131-35	754.10.49	21	35					
SD 75 131-40	754.10.50	21	40					
SD 75 131-50	754.10.51	21	50	153.2	155.0	84.5	84.5	115
SD 75 155-20	754.12.86	25	20					
SD 75 155-25	754.12.87	25	25					
SD 75 155-30	754.12.88	25	30					
SD 75 155-35	754.12.89	25	35					
SD 75 155-40	754.12.90	25	40					
SD 75 155-50	754.12.91	25	50					

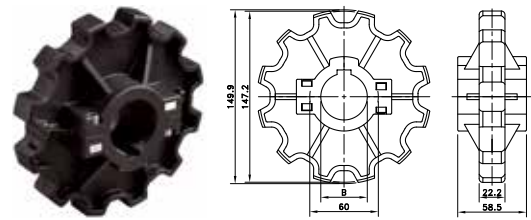
For steel chain series: MCC: straight run heavy duty, heavy duty Magnetflex.

For plastic chain series: HDS, HDFM.

**SS/SI HD**



**NS(X) 882**



Sprocket Type	Code Number	Number of Teeth	Bore	Pitch Diameter	Outside Diameter	Width (Teeth)	Hub Width	Hub Diameter
			B	E	F	C	A	H
			mm/inch	mm	mm	mm	mm	mm

**Split Sprockets And Idlers, Machined - SS/SI HD**

Sprockets, Metric Bores								
SS HD 11-25	754.63.71	11	25	135.2	135.4	22.0	40	90
SS HD 11-30	754.63.72	11	30					
SS HD 11-35	754.63.73	11	35					
SS HD 11-40	754.63.74	11	40					
SS HD 11-50	754.63.75	11	50					
SS HD 12-25	754.63.81	12	25	147.2	147.6	22.0	40	90
SS HD 12-30	754.63.82	12	30					
SS HD 12-35	754.63.83	12	35					
SS HD 12-40	754.63.84	12	40					
SS HD 12-50	754.63.85	12	50					

**Sprockets, Inch Bores**

SS HD 11-1	754.63.76	11	1.000"	135.2	135.4	22.0	40	90
SS HD 11-1 <sup>3</sup> / <sub>16</sub>	754.63.77	11	1.188"					
SS HD 11-1 <sup>1</sup> / <sub>4</sub>	754.63.78	11	1.250"					
SS HD 11-1 <sup>7</sup> / <sub>16</sub>	754.63.79	11	1.438"					
SS HD 11-1 <sup>1</sup> / <sub>2</sub>	754.63.80	11	1.500"					
SS HD 12-1	754.63.86	12	1.000"	147.2	147.6	22.0	40	90
SS HD 12-1 <sup>3</sup> / <sub>16</sub>	754.63.87	12	1.188"					
SS HD 12-1 <sup>1</sup> / <sub>4</sub>	754.63.88	12	1.250"					
SS HD 12-1 <sup>7</sup> / <sub>16</sub>	754.63.89	12	1.438"					
SS HD 12-1 <sup>1</sup> / <sub>2</sub>	754.63.90	12	1.500"					

**Idlers, Metric Bores**

SI HD 11-25	754.63.21	11	25	135.2	135.4	22.0	40	90
SI HD 11-30	754.63.22	11	30					
SI HD 11-35	754.63.23	11	35					
SI HD 11-40	754.63.24	11	40					
SI HD 11-50	754.63.25	11	50					
SI HD 12-25	754.63.31	12	25	147.2	147.6	22.0	40	90
SI HD 12-30	754.63.32	12	30					
SI HD 12-35	754.63.33	12	35					
SI HD 12-40	754.63.34	12	40					
SI HD 12-50	754.63.35	12	50					

For plastic chain series: 882, 883, HDF, HDFM, HDS

**Split Sprockets and Idlers, Injection Moulded - NS(X) 882**

Sprockets, Metric Bores								
NS882 12-25	L0882663551	12	25	147.2	149.9	22.2	58.5	60
NS882 12-30	L0882663561	12	30					
NS882 12-35	L0882663571	12	35					
NS882 12-40	L0882663581	12	40					
NS882 12-45	L0882663591	12	45					

**Sprockets, Inch Bores\***

NS882 12-1	L0882663601	12	1.000"	147.2	149.9	22.2	58.5	60
NS882 12-1 <sup>1</sup> / <sub>4</sub>	L0882619072	12	1.250"					
NS882 12-1 <sup>1</sup> / <sub>2</sub>	L0882619082	12	1.500"					

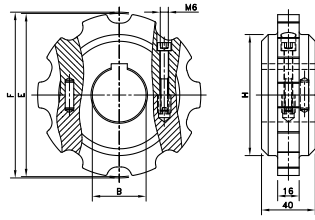
**Idlers, Metric Bores**

NSX882 12-25	L0882663641	12	25	147.2	149.9	22.2	58.5	60
NSX882 12-30	L0882663651	12	30					
NSX882 12-35	L0882663661	12	35					
NSX882 12-40	L0882663671	12	40					

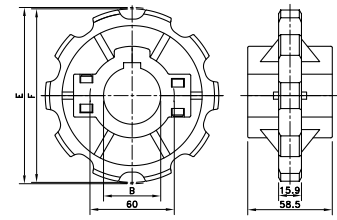
For plastic chain series: 882, 883, HDF, HDFM, HDS.

\* Ask Customer service for minimum order quantity of NS882 sprockets with inch bores.

**SS/SI RH**



**NS(X) 880**



Sprocket Type	Code Number	Number of Teeth	Bore	Pitch Diameter	Outside Diameter	Width (Teeth)	Hub Width	Hub Diameter
			B	E	F	C	A	H
			mm/inch	mm	mm	mm	mm	mm

**Split Sprockets And Idlers, Machined - SS/SI RH**

Sprockets, Metric Bores												
SS RH 9-25	754.60.51	9	25	111.4	109.0	16.0	40.0	75				
SS RH 9-30	754.60.52	9	30									
SS RH 9-35	754.60.53	9	35									
SS RH 9-40	754.60.54	9	40	123.3	121.4			16.0	40.0	90		
SS RH 10-25	754.60.61	10	25									
SS RH 10-30	754.60.62	10	30									
SS RH 10-35	754.60.63	10	35	135.2	133.9					16.0	40.0	90
SS RH 10-40	754.60.64	10	40									
SS RH 11-25	754.60.71	11	25									
SS RH 11-30	754.60.72	11	30	147.2	145.8	16.0	40.0					90
SS RH 11-35	754.60.73	11	35									
SS RH 11-40	754.60.74	11	40									
SS RH 12-25	754.60.81	12	25	147.2	145.8			16.0	40.0			90
SS RH 12-30	754.60.82	12	30									
SS RH 12-35	754.60.83	12	35									
SS RH 12-40	754.60.84	12	40									

**Idlers, Metric Bores**

SI RH 9-25	754.60.01	9	25	111.4	109.0	16.0	40.0	75				
SI RH 9-30	754.60.02	9	30									
SI RH 9-35	754.60.03	9	35									
SI RH 9-40	754.60.04	9	40	123.3	121.4			16.0	40.0	90		
SI RH 10-25	754.60.11	10	25									
SI RH 10-30	754.60.12	10	30									
SI RH 10-35	754.60.13	10	35	135.2	133.9					16.0	40.0	90
SI RH 10-40	754.60.14	10	40									
SI RH 11-25	754.60.21	11	25									
SI RH 11-30	754.60.22	11	30	147.2	145.8	16.0	40.0					90
SI RH 11-35	754.60.23	11	35									
SI RH 11-40	754.60.24	11	40									
SI RH 12-25	754.60.31	12	25	147.2	145.8			16.0	40.0			90
SI RH 12-30	754.60.32	12	30									
SI RH 12-35	754.60.33	12	35									
SI RH 12-40	754.60.34	12	40									

For plastic chain series: 879, 880, RH, RHD, RHM, RHMD, RHMP, RHMDP, SHP

**Split Sprockets and Idlers, Injection Moulded - NS(X) 880**

Sprockets, Metric Bores										
NS880 10-25	L0880662171	10	25	123.3	122.5	15.9	58.5	60		
NS880 10-30	L0880662211	10	30							
NS880 10-35	L0880662251	10	35							
NS880 10-40	L0880662291	10	40							
NS880 10-45	L0880662331	10	45	147.2	147.4			15.9	58.5	60
NS880 12-25	L0880663151	12	25							
NS880 12-30	L0880663161	12	30							
NS880 12-35	L0880663171	12	35							
NS880 12-40	L0880663181	12	40							
NS880 12-45	L0880663191	12	45							

**Sprockets, Inch Bores**

NS880 12-1	L0880663201	12	1.000"	147.2	147.4	15.9	58.5	60
NS880 12-1¼	L0880663241	12	1.250"					

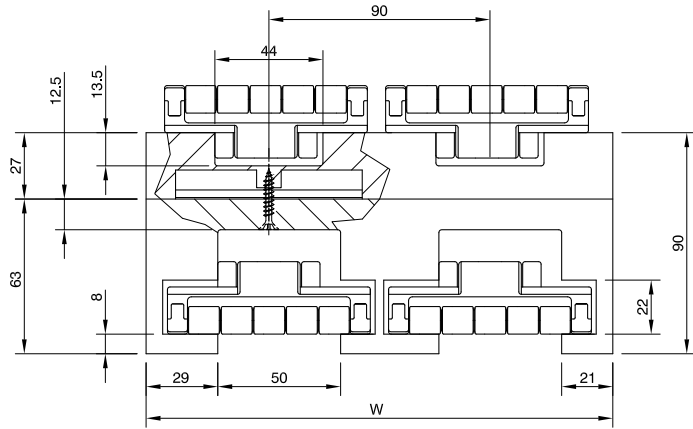
**Idlers, Metric Bores**

NSX880 10-25	L0880662401	10	25	123.3	122.5	15.9	58.5	60		
NSX880 10-30	L0880662421	10	30							
NSX880 10-35	L0880662441	10	35							
NSX880 10-40	L0880619422	10	40							
NSX880 12-25	L0880604082	12	25	147.2	147.4			15.9	58.5	60
NSX880 12-30	L0880604092	12	30							
NSX880 12-35	L0880699811	12	35							
NSX880 12-40	L0880604602	12	40							

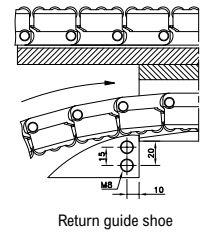
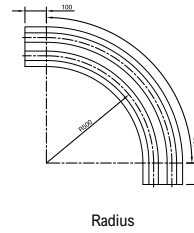
For plastic chain series: 879, 880, RH, RHD, RHM, RHMD, RHMP, RHMDP, SHP.

\* Ask Customer service for minimum order quantity of NS880 sprockets with inch bores.

## Magnetflex Combi-A Version LBP2



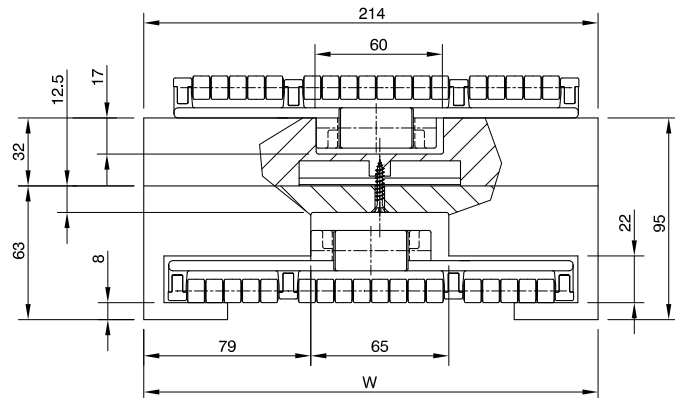
Number of Tracks	1	2	3	4	5	6
Width W	mm	mm	mm	mm	mm	mm
<b>Version LBP2</b>						
15°	704.34.16	704.34.17	704.34.18	704.34.19	704.34.20	704.34.21
30°	704.34.31	704.34.32	704.34.33	704.34.34	704.34.35	704.34.36
45°	704.34.46	704.34.47	704.34.48	704.34.49	704.34.50	704.34.51
60°	704.34.61	704.34.62	704.34.63	704.34.64	704.34.65	704.34.66
75°	704.34.76	704.34.77	704.34.78	704.34.79	704.34.80	704.34.81
90°	704.34.01	704.34.02	704.34.03	704.34.04	704.34.05	704.34.06



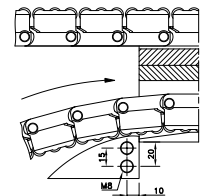
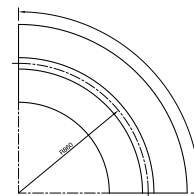
More than 6 tracks on request.

• For plastic chains: RHMD 325 LBP.

## Magnetflex Combi-A Version LBP861



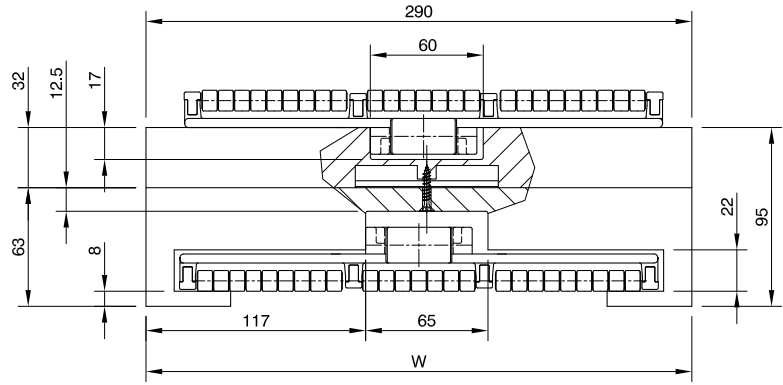
Number of Tracks	1
Width W	214 mm
<b>Version LBP861</b>	
15°	724.47.16
30°	724.47.31
45°	724.47.46
60°	724.47.61
75°	724.47.76
90°	724.47.01



More than 1 track on request.

• For plastic chains: HDFM 750 LBP.

## Magnetflex Combi-A Version LBP91



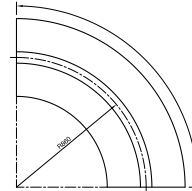
<b>Number of Tracks</b>	<b>1</b>
<b>Width W</b>	<b>290 mm</b>

### Version LBP91

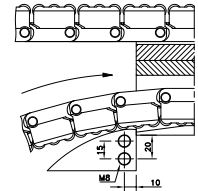
15°	724.45.16
30°	724.45.31
45°	724.45.46
60°	724.45.61
75°	724.45.76
90°	724.45.01

More than 1 track on request.

- For plastic chains: HDFM 1000 LBP.

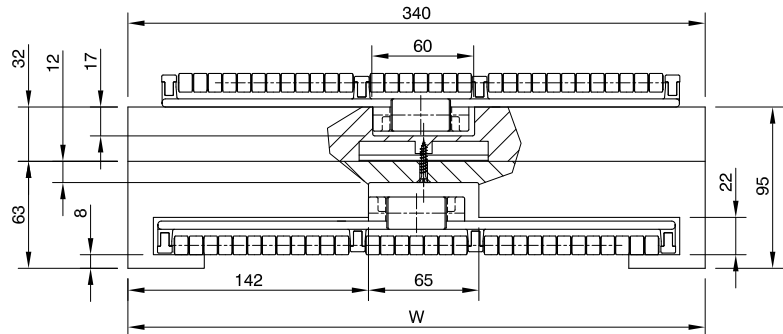


Radius



Return guide shoe

## Magnetflex Combi-A Version LBP96



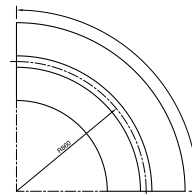
<b>Number of Tracks</b>	<b>1</b>
<b>Width W</b>	<b>340 mm</b>

### Version LBP96

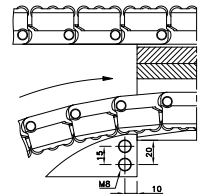
15°	724.46.16
30°	724.46.31
45°	724.46.46
60°	724.46.61
75°	724.46.76
90°	724.46.01

More than 1 track on request.

- For plastic chains: HDFM 1200 LBP.



Radius



Return guide shoe