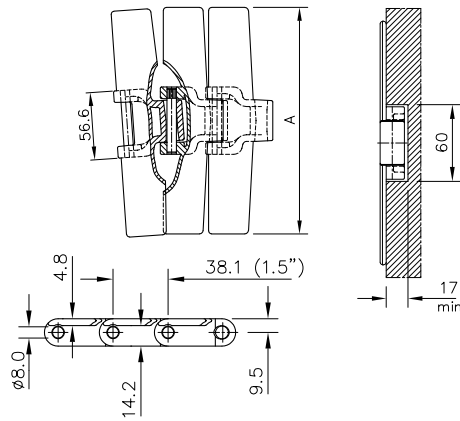


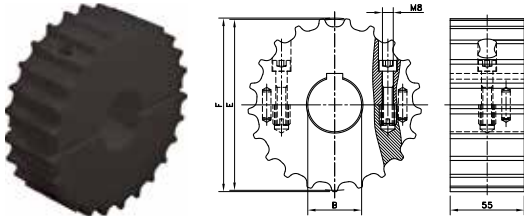
Magnetflex® Heavy Duty



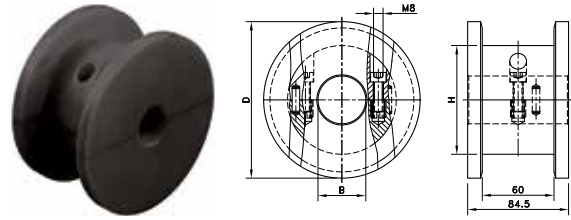
Chain Type	Code Number	Plate Width		Weight	Working Load (max.)	Backflex Radius (min)	Sideflex Radius (min)	Plate Thickness
		A						
		mm	inch	kg/m	N (21°C)	mm	mm	mm
XL-Acetal								
HDFM 750 XL	751.32.72	190.5	7.50	2.16	3830	50	610	4.8
HDFM 1000 XL	751.32.90	254.0	10.00	2.42				
HDFM 1200 XL	751.32.92	304.8	12.00	2.69				

Standard length: 3.048 m - 10 feet (80 links).

SS/SI 75



SD 75



Split Sprockets And Idlers, Machined - SS/SI 75

Sprockets, Metric Bores

SS 75 21-25	753.63.61	21	25	129.3	130.0	55.0	55.0	-
SS 75 21-30	753.63.62	21	30					
SS 75 21-35	753.63.63	21	35					
SS 75 21-40	753.63.64	21	40					
SS 75 21-50	753.63.65	21	50					
SS 75 25-25	753.63.81	25	25	153.2	153.9	55.0	55.0	-
SS 75 25-30	753.63.82	25	30					
SS 75 25-35	753.63.83	25	35					
SS 75 25-40	753.63.84	25	40					
SS 75 25-50	753.63.85	25	50					

Idlers, Metric Bores

SI 75 21-25	753.63.11	21	25	129.3	130.0	55.0	55.0	-
SI 75 21-30	753.63.12	21	30					
SI 75 21-35	753.63.13	21	35					
SI 75 21-40	753.63.14	21	40					
SI 75 21-50	753.63.15	21	50					
SI 75 25-25	753.63.31	25	25	153.2	153.9	55.0	55.0	-
SI 75 25-30	753.63.32	25	30					
SI 75 25-35	753.63.33	25	35					
SI 75 25-40	753.63.34	25	40					
SI 75 25-50	753.63.35	25	50					

For steel chain series: MCC: straight run heavy duty, heavy duty Magnetflex

Split Idler Drums, Machined - SD 75

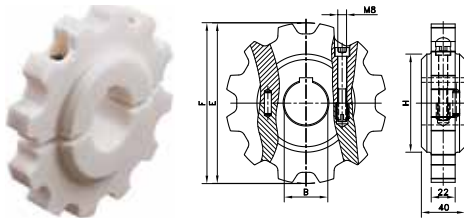
Metric Bores

SD 75 131-20	754.10.46	21	20	129.3	131.0	84.5	84.5	91
SD 75 131-25	754.10.47	21	25					
SD 75 131-30	754.10.48	21	30					
SD 75 131-35	754.10.49	21	35					
SD 75 131-40	754.10.50	21	40					
SD 75 131-50	754.10.51	21	50	153.2	155.0	84.5	84.5	115
SD 75 155-20	754.12.86	25	20					
SD 75 155-25	754.12.87	25	25					
SD 75 155-30	754.12.88	25	30					
SD 75 155-35	754.12.89	25	35					
SD 75 155-40	754.12.90	25	40					
SD 75 155-50	754.12.91	25	50					

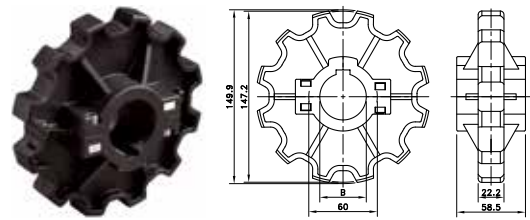
For steel chain series: MCC: straight run heavy duty, heavy duty Magnetflex.

For plastic chain series: HDS, HDFM.

SS/SI HD



NS(X) 882



Sprocket Type	Code Number	Number of Teeth	Bore	Pitch Diameter	Outside Diameter	Width (Teeth)	Hub Width	Hub Diameter
			B	E	F	C	A	H
			mm/inch	mm	mm	mm	mm	mm

Split Sprockets And Idlers, Machined - SS/SI HD

Sprockets, Metric Bores								
SS HD 11-25	754.63.71	11	25	135.2	135.4	22.0	40	90
SS HD 11-30	754.63.72	11	30					
SS HD 11-35	754.63.73	11	35					
SS HD 11-40	754.63.74	11	40					
SS HD 11-50	754.63.75	11	50					
SS HD 12-25	754.63.81	12	25	147.2	147.6	22.0	40	90
SS HD 12-30	754.63.82	12	30					
SS HD 12-35	754.63.83	12	35					
SS HD 12-40	754.63.84	12	40					
SS HD 12-50	754.63.85	12	50					

Sprockets, Inch Bores

SS HD 11-1	754.63.76	11	1.000"	135.2	135.4	22.0	40	90
SS HD 11-1 ³ / ₁₆	754.63.77	11	1.188"					
SS HD 11-1 ¹ / ₄	754.63.78	11	1.250"					
SS HD 11-1 ⁷ / ₁₆	754.63.79	11	1.438"					
SS HD 11-1 ¹ / ₂	754.63.80	11	1.500"					
SS HD 12-1	754.63.86	12	1.000"	147.2	147.6	22.0	40	90
SS HD 12-1 ³ / ₁₆	754.63.87	12	1.188"					
SS HD 12-1 ¹ / ₄	754.63.88	12	1.250"					
SS HD 12-1 ⁷ / ₁₆	754.63.89	12	1.438"					
SS HD 12-1 ¹ / ₂	754.63.90	12	1.500"					

Idlers, Metric Bores

SI HD 11-25	754.63.21	11	25	135.2	135.4	22.0	40	90
SI HD 11-30	754.63.22	11	30					
SI HD 11-35	754.63.23	11	35					
SI HD 11-40	754.63.24	11	40					
SI HD 11-50	754.63.25	11	50					
SI HD 12-25	754.63.31	12	25	147.2	147.6	22.0	40	90
SI HD 12-30	754.63.32	12	30					
SI HD 12-35	754.63.33	12	35					
SI HD 12-40	754.63.34	12	40					
SI HD 12-50	754.63.35	12	50					

For plastic chain series: 882, 883, HDF, HDFM, HDS

Split Sprockets and Idlers, Injection Moulded - NS(X) 882

Sprockets, Metric Bores								
NS882 12-25	L0882663551	12	25	147.2	149.9	22.2	58.5	60
NS882 12-30	L0882663561	12	30					
NS882 12-35	L0882663571	12	35					
NS882 12-40	L0882663581	12	40					
NS882 12-45	L0882663591	12	45					

Sprockets, Inch Bores*

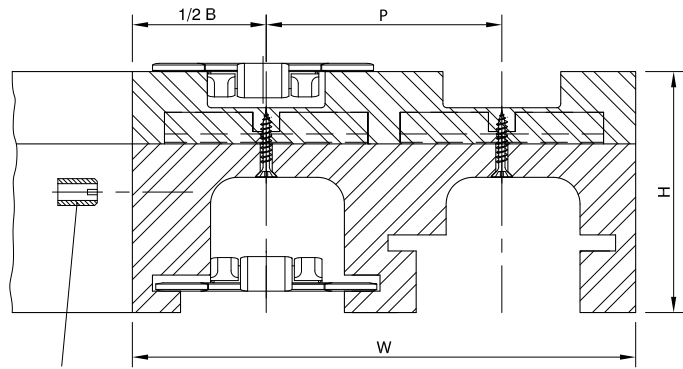
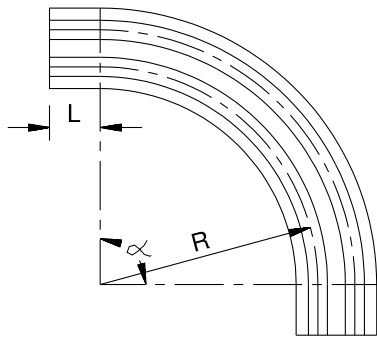
NS882 12-1	L0882663601	12	1.000"	147.2	149.9	22.2	58.5	60
NS882 12-1 ¹ / ₄	L0882619072	12	1.250"					
NS882 12-1 ¹ / ₂	L0882619082	12	1.500"					

Idlers, Metric Bores

NSX882 12-25	L0882663641	12	25	147.2	149.9	22.2	58.5	60
NSX882 12-30	L0882663651	12	30					
NSX882 12-35	L0882663661	12	35					
NSX882 12-40	L0882663671	12	40					

For plastic chain series: 882, 883, HDF, HDFM, HDS.

* Ask Customer service for minimum order quantity of NS882 sprockets with inch bores.



Selection Tables

Select your curve by reading the tables from left to right. You'll find more information on the specified pages.

For Chain Type (s)	Radius	Pitch	Basic Width	Infeed Length	Total Height	Version Number	See Page
	R	P	B	L	H		
	mm	mm	mm	mm	mm		
For Chains With 3.25"/3.30" Plate Width							
Steel/Plastic	500	85	100	0	82 / 89	C7-CX7	109
				100	90	C6-CX6	108
			111	100	90	C4	106
		90	100	125	82	C1	105
			100	100	82	C2	105
			110	0	82	C3	106
	590	180	100	100	82	C5B	on request
	680	-	100	100	82	C5A	107
	750	85	111	100	90	C42	112
	860	-	100	125	82	C5C	107
	1000	-	100	0	82	C5D	on request
		85	111	100	90	C43	112
Cip-Curve for Chains With 3.25" Plate Width for Chains with 4.50" Plate Width							
661 steel	500	85	100	100	82	CF6	110
Steel	500	85	111	100	100	CIP4	107
Steel/plastic	500	120	129	125	90	C21A	111
	610	120	129	125	90	C22A	111
For Chains with 7.50" Plate Width							
Steel	610	196	214	125	90	C61	113
	860	-	214	0	82	C66	114
	1000	-	214	0	82	C65	114
Steel / HDFM 750 (SG)	610	195	200	100	95	C81	115
	860	-	214	0	87	C86	115
For Chains with 10.00" Plate Width							
HDFM 1000 (SG)	860	-	290	0	87	C91	116
For Chains with 12.00" Plate Width							
HDFM 1200 (SG)	860	-	340	0	87	C96	116
For LBP Chains							
RHMD 325 LBP	500	90	100	100	90	LBP2	117
HDFM 750 LBP	860	-	214	0	95	LBP861	117
HDFM 1000 LBP	860	-	290	0	95	LBP91	118
HDFM 1200 LBP	860	-	340	0	95	LBP96	118
For Chainbelts							
FGM 1050/FTM 1060	500	85	100	100	90	CB6-CXB6	119
FTM 1055 K330	500	85	100	100	90	CC6-CXC6	120
FTM 1055 K450	500	120	129	125	90	CC21	121

All these Magnetflex curves include a return guide shoe, except C7. Inserts are optional; M8 or M10 inserts in the return part and M6 or M8 inserts in the guide shoe can be supplied according your detailed drawing. If you need a special Magnetflex curve, following parameters are necessary:

1. Basic width
2. Radius
3. Infeed length
4. Pitch
5. Angle
6. Number of tracks