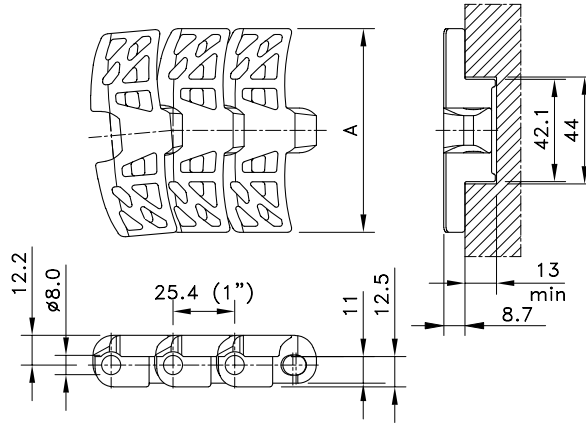


Flush Grid Magnetflex® 1050

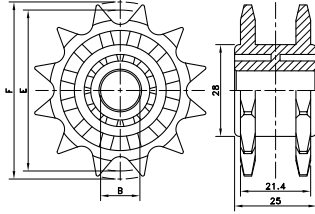


Chain Type	Code Number	Plate Width		Weight	Sideflex Radius (min)	Working Load (max.)	Backflex Radius (min)	Plate Thickness
		A						
		mm	inch	kg/m	mm	N (21°C)	mm	mm
XLG-Acetal								
FGM 1050 XLG	749.11.31	83.8	3.30	1.54	500	1650	130	8.7
PSX Advanced Performance Polymer Alloy								
FGM 1050 PSX	749.10.52	83.8	3.30	1.54	500	1650	130	8.7

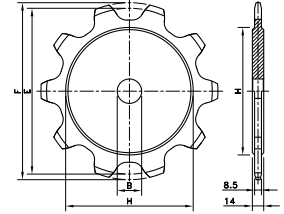
Standard length: 3.048 m - 10 feet (120 links).



N(X) 1108



ST 1080



Sprocket Type	Code Number	Number of Teeth	Bore	Pitch Diameter	Outside Diameter	Width (Teeth)	Hub Width	Hub Diameter
			B	E	F	C	A	H
			mm/inch	mm	mm	mm	mm	mm

Classic Sprocket and Idler, Injection Moulded - N(X) 1108

Sprocket, Metric Bore								
N1108 12-12	L1108666211	12	12	49.1	54.0	21.4	25.0	28.0
Idler, Metric Bore								
NX1108 12-12	L1108666231	12	12	49.1	54.0	21.4	25.0	28.0

For plastic chain series: 1108.

The drive sprocket is fixed by mounting a pin radially through sprocket and shaft.

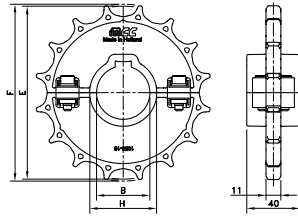
1108 plastic chains also run on standard 1/2" pitch roller chain sprockets that meet ANSI 40.

Classic Sprockets - ST 1080

Metric Prebores								
ST1080 08-30	L1080668371	8	30	165.9	177.7	8.5	14.0	119.0
ST1080 09-30	L1080668381	9	30	185.7	198.5	8.5	14.0	136.0
ST1080 10-30	L1080668391	10	30	205.5	219.3	8.5	14.0	158.0
ST1080 12-30	L1080668401	12	30	245.4	260.5	8.5	14.0	200.0
ST1080 14-30	L1080668411	14	30	285.4	301.5	8.5	14.0	240.0

For plastic chain series: 1080

SSW/SIW 1050



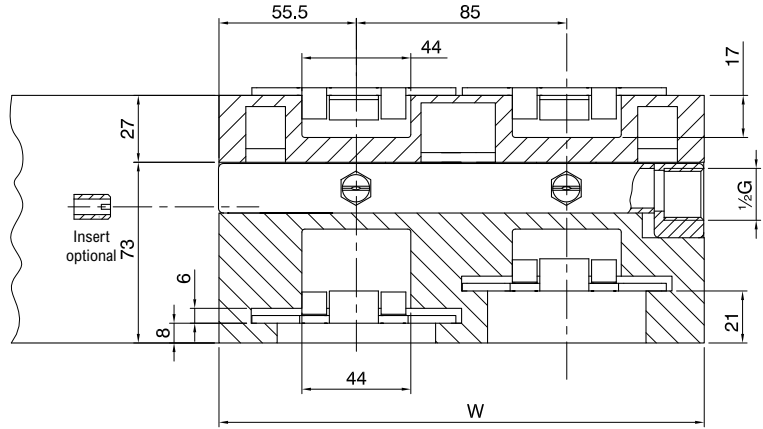
Sprocket Type	Code Number	Number of Teeth	Bore	Pitch Diameter	Outside Diameter	Width (Teeth)	Hub Width	Hub Diameter
			B	E	F	C	A	H
			mm/inch	mm	mm	mm	mm	mm

Split Sprockets and Idlers, Injection Moulded - SSW/SIW 1050

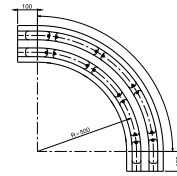
Sprockets, Metric Bores								
SSW 1050 16-30	749.82.23	16	30	130.2	130.9	11.0	40.0	40.0
SSW 1050 16-40	749.82.43	16	40	130.2	130.9	11.0	40.0	50.0
SSW 1050 18-30	749.82.25	18	30	146.3	146.8	11.0	40.0	40.0
SSW 1050 18-40	749.82.45	18	40	146.3	146.8	11.0	40.0	50.0
Sprockets, Inch Bores								
SSW 1050 16-1½	749.86.53	16	1.500"	130.2	130.9	11.0	40.0	48.1
SSW 1050 18-1½	749.86.55	18	1.500"	146.3	146.8	11.0	40.0	48.1
Idlers, Metric Bores								
SIW 1050-16-30	749.81.23	16	30	131.2	130.9	11.0	40.0	40.0
SIW 1050-16-40	749.81.43	16	40	131.2	130.9	11.0	40.0	50.0
SIW 1050-18-30	749.81.25	18	30	147.4	146.8	11.0	40.0	40.0
SIW 1050-18-40	749.81.45	18	40	147.4	146.8	11.0	40.0	50.0
Idlers, Inch Bores								
SIW 1050-16-1½	749.85.53	16	1.500"	131.2	130.9	11.0	40.0	48.1
SIW 1050-18-1½	749.85.55	18	1.500"	147.4	146.8	11.0	40.0	48.1

For plastic chain series: 1050, 1055, 1060.

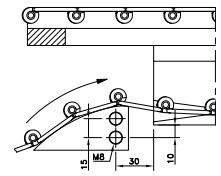
Magnetflex Version CIP4



Number of Tracks	1	2	3	4	5	6
Width W	111 mm	196 mm	281 mm	366 mm	451 mm	536 mm
Version CIP4						
15°	785.45.16	785.45.17	785.45.18	785.45.19	785.45.20	785.45.21
30°	785.45.31	785.45.32	785.45.33	785.45.34	785.45.35	785.45.36
45°	785.45.46	785.45.47	785.45.48	785.45.49	785.45.50	785.45.51
60°	785.45.61	785.45.62	785.45.63	785.45.64	785.45.65	785.45.66
75°	785.45.76	785.45.77	785.45.78	785.45.79	785.45.80	785.45.81
90°	785.45.01	785.45.02	785.45.03	785.45.04	785.45.05	785.45.06



Radius

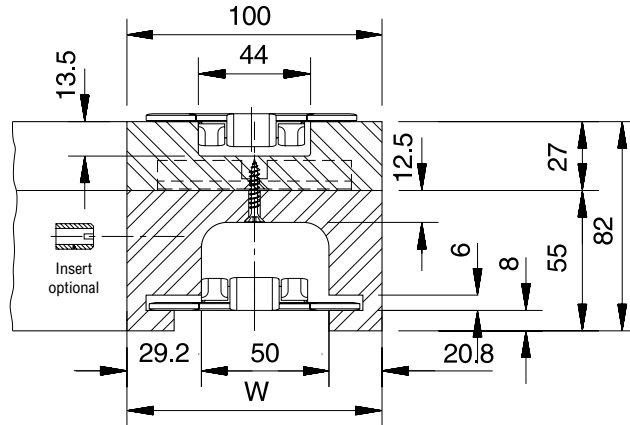


Return guide shoe

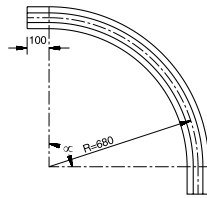
More than 6 tracks on request.

- For steel chains: 10/60/66 M 31 M, 60/66 M 31 XM, 66 M 31 RM, 60/66 M 84 XM.

Magnetflex Combi-A Version C5A-C5C

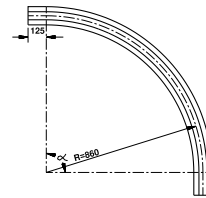


Number of Tracks	1
Width W	100 mm
Version C5A	
15°	704.09.16
30°	704.09.31
45°	704.09.46
60°	704.09.61
75°	704.09.76
90°	704.09.01

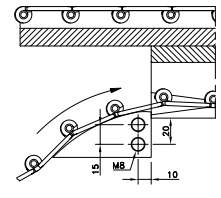


Radius

Number of Tracks	1
Width W	100 mm
Version C5C	
15°	704.11.16
30°	704.11.31
45°	704.11.46
60°	704.11.61
75°	704.11.76
90°	704.11.01



Radius



Return guide shoe for C5A-C5C

More than 1 track on request.

- For steel chains: 10/60/66 M 31 M, 60/66 M 31 SM, 66 M 31 RM, 60/66 M 84 SM.
- For plastic chains: RHMP 325, RHMDP 325, RHMP 84.

More than 1 track on request.

- For steel chains: 10/60/66 M 31 M, 60/66 M 31 SM, 66 M 31 RM, 60/66 M 84 SM, SSC 581 M-K325.
- For plastic chains: RHMP 325, RHMDP 325, RHMP 84.