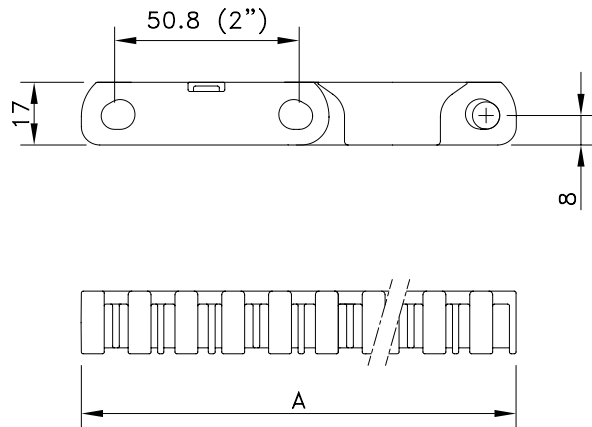
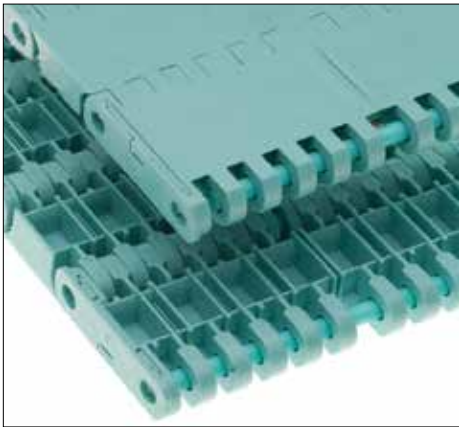


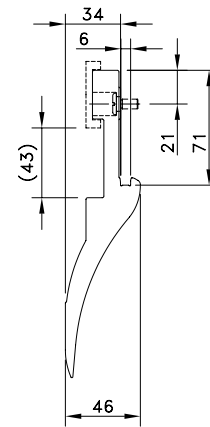
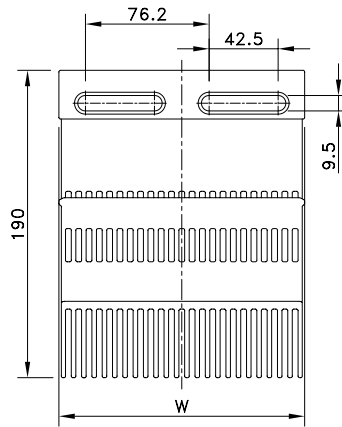
# Flat Top 2000



Assembly	Belt Type	Code Number*	Temperature range °C		Working Load (max.) N/m (21°C)	Weight kg/m <sup>2</sup>	Backflex Radius (min.) mm
			Dry	Wet			
<b>XP-Polypropylene with Polypropylene Pins</b>							
Standard	FT 2000 XP	838.30.xx	4 to 104	4 to 104	29500	8.20	45

\* In code numbers xx corresponds with the belt width (A), starting with 10 for 3", 11 for 6" and so on in steps of 3". See also page 208.

# DTS-C® Transfer System for Pasteurizers

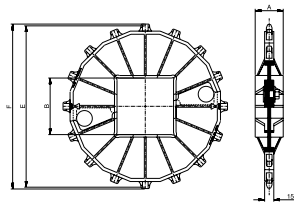


Product	Code Number	Length	Width W	Weight ≈
		mm	mm	kg
<b>Reinforced Polyamide</b>				
DTS-C 2000-1005 190 x 152	834.12.79*	190	152	0.25

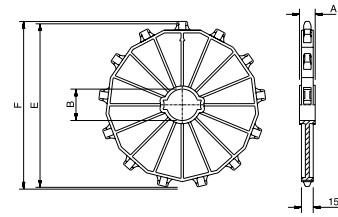
\*DTS-C is optimized for 16 tooth sprocket size

Wearstrip DTS-C 2000			
Wearstrip DTS-C 2000	Code Number	Length	
Wearstrip DTS-C 2000	S0 362 694 341	3	
Wearstrip DTS-C 2000	S0 362 617 26	6	

## Split Sprockets



## Classic Sprockets



Sprocket Type	Code Number	Number of Teeth	Bore	Pitch Diameter	Outside Diameter	Hub Diameter
			B	E	F	A
			mm/inch	mm	mm	mm
<b>Split Sprockets</b>						
<b>Square bores</b>						
SS 2000 13-90x90 POM	893.73.24	13	90	212.3	209.0	45
SS 2000 16-65x65 POM	893.76.23	16	65	260.4	262.0	
SS 2000 16-90x90 POM	893.76.24	16	90			
SS 2000 16-120x120 POM	893.76.29	16	120			
<b>Classic Sprockets</b>						
<b>Round Bore bores</b>						
CS 2000 10-40 POM	893.10.11	10	40	164.4	163.1	20
CS 2000 10-50 POM	893.10.12	10	50	164.4	163.1	
CS 2000 12-40 POM	893.12.11	12	40	196.3	196.3	
CS 2000 13-65 POM	893.13.13	13	65	212.3	209.0	30
CS 2000 13-90 POM	893.13.14	13	90	212.2	209.0	
CS 2000 16-90 POM	893.16.14	16	90	260.4	262.0	45
CS 2000 16-2½ POM	893.16.43	16	2.5"	260.4	262.0	
<b>Square bores</b>						
CS 2000 10-40x40 POM	893.10.21	10	40	164.4	163.1	20
CS 2000 10-60x60 POM	893.10.28	10	60	164.4	163.1	30
CS 2000 10-65x65 POM	893.10.23	10	65	164.4	163.1	
CS 2000 12-40x40 POM	893.12.21	12	40	196.3	196.3	
CS 2000 12-60x60 POM	893.12.28	12	60	196.3	196.3	30
CS 2000 12-65x65 POM	893.12.23	12	65	196.3	196.3	
CS 2000 13-40x40 POM	893.13.21	13	40	212.3	209.0	
CS 2000 13-65x65 POM	893.13.23	13	65	212.3	209.0	30
CS 2000 13-90x90 POM	893.13.24	13	90	212.3	209.0	45
CS 2000 16-65x65 POM	893.16.23	16	65	260.4	262.0	30
CS 2000 16-90x90 POM	893.16.24	16	90	260.4	262.0	45
CS 2000 16-120x120 POM	893.16.29	16	120	260.4	262.0	