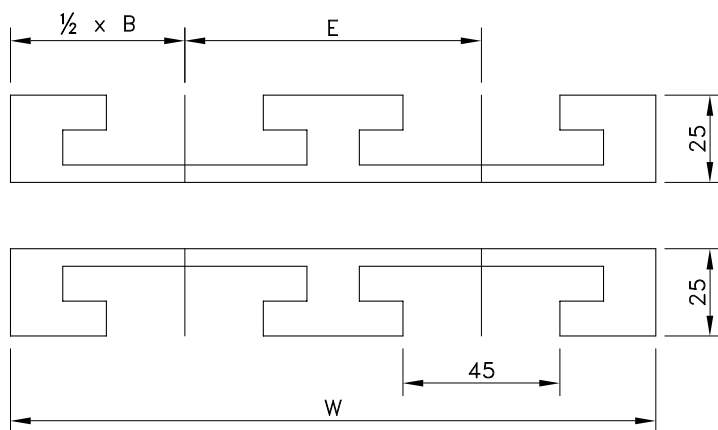


KTX for single hinge chains



Number of Tracks	1	2	3	Pitch	Basic Width	Radius
				E	M	R
				mm	mm	mm

Version KTX 013

Width W	100 mm	190 mm	280 mm	For 3.25" wide chains		
15°	L0KTX649933	L0KTX649943	L0KTX649953	90	100	500
30°	L0KTX649963	L0KTX649973	L0KTX649983			
45°	L0KTX649993	L0KTX650003	L0KTX650013			
60°	L0KTX650023	L0KTX650033	L0KTX650043			
75°	L0KTX650053	L0KTX650063	L0KTX650073			
90°	L0KTX650083	L0KTX650093	L0KTX650103			

Version KTX 018

Width W	125 mm	245 mm	365 mm	For 4.50" wide chains		
15°	L0KTX650113	L0KTX650123	L0KTX650133	120	120	120
30°	L0KTX650143	L0KTX650153	L0KTX650163			
45°	L0KTX650173	L0KTX650183	L0KTX650193			
60°	L0KTX650203	L0KTX650213	L0KTX650223			
75°	L0KTX650233	L0KTX650243	L0KTX650253			
90°	L0KTX650263	L0KTX650273	L0KTX650283			

Version KTU 013

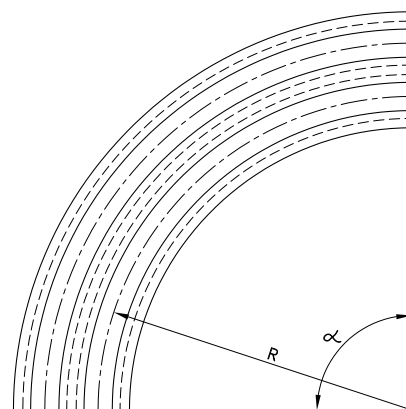
Width W	100 mm	190 mm	280 mm	For 3.25" wide chains		
15°	787.02.77	787.0 8.24	787.08.25	90	100	500
30°	787.05.60	787.08.29	787.08.30			
45°	787.03.08	787.04.06	787.08.34			
60°	787.05.71	787.08.38	787.08.39			
75°	787.05.77	787.08.43	787.08.44			
90°	787.00.02	787.00.51	787.00.50			

Version KTU 018

Width W	125 mm	245 mm	365 mm	For 4.50" wide chains		
15°	787.08.49	787.08.50	787.08.51	120	125	610
30°	787.08.55	787.08.56	787.08.57			
45°	787.07.37	787.08.61	787.08.62			
60°	787.08.66	787.08.67	787.08.68			
75°	787.08.72	787.08.73	787.08.74			
90°	787.01.09	787.00.87	787.01.10			

Version KTU 030

Width W	200 mm	395 mm	590 mm	For 7.50" wide chains		
15°	787.08.80	787.08.81	787.08.82	195	200	610
30°	787.08.86	787.08.87	787.08.88			
45°	787.08.92	787.08.93	787.08.94			
60°	787.08.98	787.08.99	787.09.00			
75°	787.09.04	787.09.05	787.09.06			
90°	787.00.07	787.01.11	787.01.12			



For steel chains:

- 8811 TAB
- 881 TAB
- 66 T 72 RM

For plastic chains:

- 880 TAB
- 880 TAB BO
- 879 TAB
- 879 TAB BO
- 880 TAB BOT
- RH
- RHD
- 1050 TAB
- 1055 TAB

KTU for single hinge chains



The code nr. includes both upper and under part.