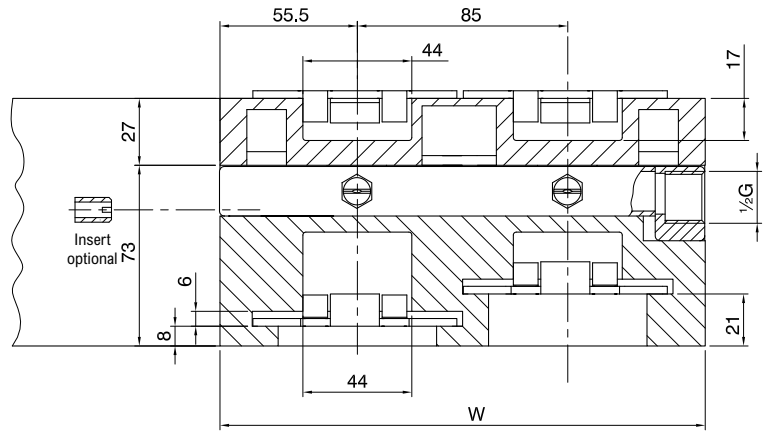


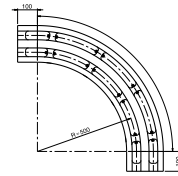
Magnetflex Version CIP4



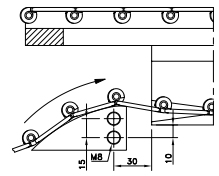
Number of Tracks	1	2	3	4	5	6
Width W	111 mm	196 mm	281 mm	366 mm	451 mm	536 mm

Version CIP4

15°	785.45.16	785.45.17	785.45.18	785.45.19	785.45.20	785.45.21
30°	785.45.31	785.45.32	785.45.33	785.45.34	785.45.35	785.45.36
45°	785.45.46	785.45.47	785.45.48	785.45.49	785.45.50	785.45.51
60°	785.45.61	785.45.62	785.45.63	785.45.64	785.45.65	785.45.66
75°	785.45.76	785.45.77	785.45.78	785.45.79	785.45.80	785.45.81
90°	785.45.01	785.45.02	785.45.03	785.45.04	785.45.05	785.45.06



Radius

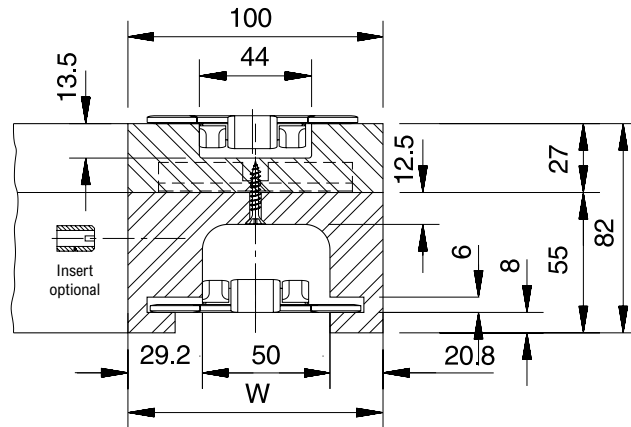


Return guide shoe

More than 6 tracks on request.

- For steel chains: 10/60/66 M 31 M, 60/66 M 31 XM, 66 M 31 RM, 60/66 M 84 XM.

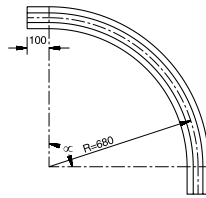
Magnetflex Combi-A Version C5A-C5C



Number of Tracks	1
Width W	100 mm

Version C5A

15°	704.09.16
30°	704.09.31
45°	704.09.46
60°	704.09.61
75°	704.09.76
90°	704.09.01

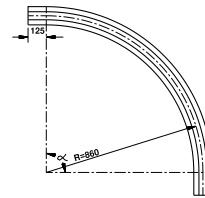


Radius

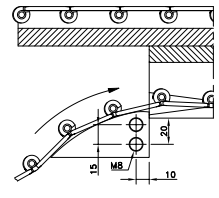
Number of Tracks	1
Width W	100 mm

Version C5C

15°	704.11.16
30°	704.11.31
45°	704.11.46
60°	704.11.61
75°	704.11.76
90°	704.11.01



Radius



Return guide shoe for C5A-C5C

More than 1 track on request.

- For steel chains: 10/60/66 M 31 M, 60/66 M 31 SM, 66 M 31 RM, 60/66 M 84 SM.
- For plastic chains: RHMP 325, RHMDP 325, RHMP 84.

More than 1 track on request.

- For steel chains: 10/60/66 M 31 M, 60/66 M 31 SM, 66 M 31 RM, 60/66 M 84 SM, SSC 581 M-K325.
- For plastic chains: RHMP 325, RHMDP 325, RHMP 84.