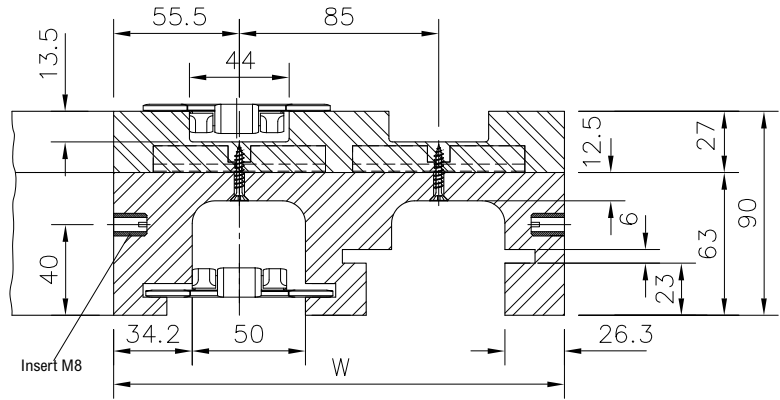
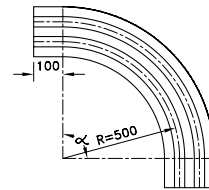


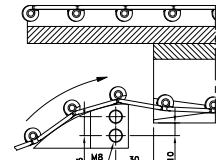
## Magnetflex Combi-A Version C14



Number of Tracks	1	2	3	4	5	6
Width W	111 mm	196 mm	281 mm	366 mm	451 mm	536 mm
<b>Version C14</b>						
15°	704.19.16	704.19.17	704.19.18	704.19.19	704.19.20	704.19.21
30°	704.19.31	704.19.32	704.19.33	704.19.34	704.19.35	704.19.36
45°	704.19.46	704.19.47	704.19.48	704.19.49	704.19.50	704.19.51
60°	704.19.61	704.19.62	704.19.63	704.19.64	704.19.65	704.19.66
75°	704.19.76	704.19.77	704.19.78	704.19.79	704.19.80	704.19.81
90°	704.19.01	704.19.02	704.19.03	704.19.04	704.19.05	704.19.06



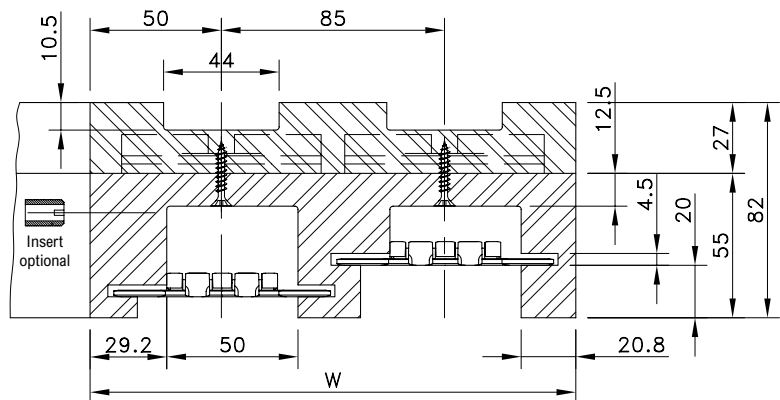
Radius



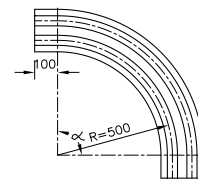
Return guide shoe

More than 6 tracks on request. C14 curves include inserts, of which the pattern varies per angle.  
 • For steel chains: 10/60/66 M 31 M, 60/66 M 31 XM, 66 M 31 RM, 60/66 M 84 XM.  
 • For plastic chains: RHMP 325, RHMDP 325, RHMP 84.

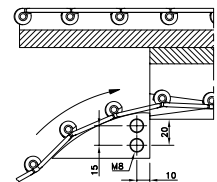
## Magnetflex Combi-A Version CF6



Number of Tracks	1	2	3	4	5	6
Width W	100 mm	185 mm	270 mm	355 mm	440 mm	525 mm
<b>Version CF6</b>						
15°	624.38.16	624.38.17	624.38.18	624.38.19	624.38.20	624.38.21
30°	624.38.31	624.38.32	624.38.33	624.38.34	624.38.35	624.38.36
45°	624.38.46	624.38.47	624.38.48	624.38.49	624.38.50	624.38.51
60°	624.38.61	624.38.62	624.38.63	624.38.64	624.38.65	624.38.66
75°	624.38.76	624.38.77	624.38.78	624.38.79	624.38.80	624.38.81
90°	624.38.01	624.38.02	624.38.03	624.38.04	624.38.05	624.38.06



Radius



Return guide shoe

More than 6 tracks on request.  
 • Other curves, such as CF4, CF7, CF42 and CF5C can be supplied as well. Please ask Technical Support for all details.  
 • For steel chains: 661 M 31 SM, 661 M 84 SM.