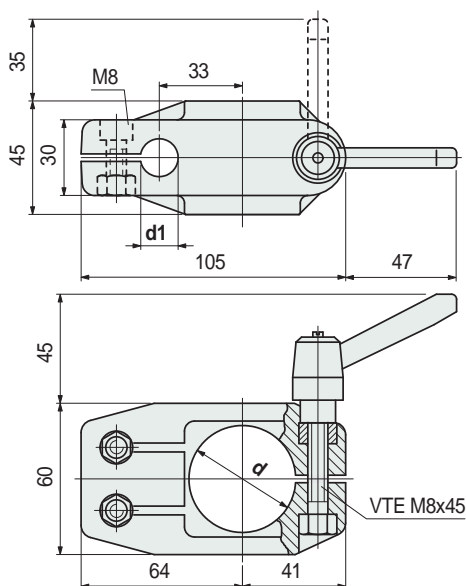


Part. S0633



Round bore

■ Cross clamp with ratchet handle clamping



Tube dia. d mm	Rod dia. d1 mm	Code	Weight kg
42,4 (1" 1/4)	15	647152	0,23
	20	655402	

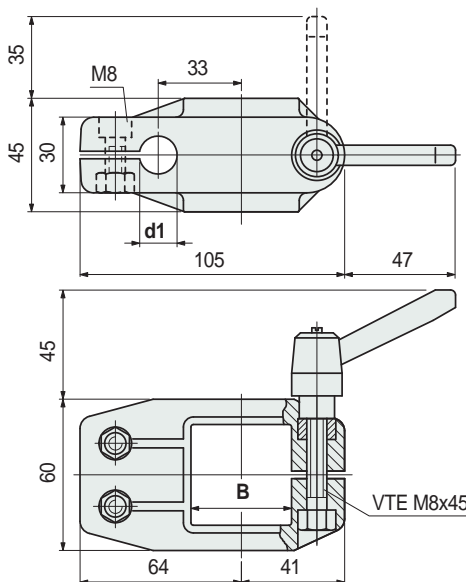
- Material clamp: body in reinforced polyamide PA FV (black), tightening screws in austenitic stainless steel, nuts in nickel plated brass.
- Material handle: body in reinforced polyamide PA FV (black), threaded insert in nickel plated brass.
- Max recommended tightening torque: 1,5 Kgm (handle), 2 Kgm (screws).
- Packaging: 25 pieces.

Part. S0633



Square bore

■ Cross clamp with ratchet handle clamping



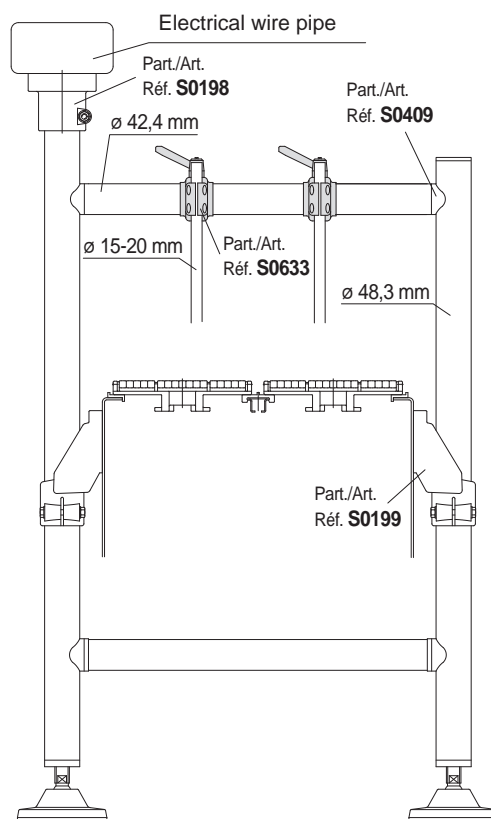
Square tube B mm	Rod dia. d1 mm	Code	Weight kg
40 x 40	15	655412	0,23
	20	647162	

- Material clamp: body in reinforced polyamide PA FV (black), tightening screws in austenitic stainless steel, nuts in nickel plated brass.
- Material handle: body in reinforced polyamide PA FV (black), threaded insert in nickel plated brass.
- Max recommended tightening torque: 1,5 Kgm (handle), 2 Kgm (screws).
- Packaging: 25 pieces.

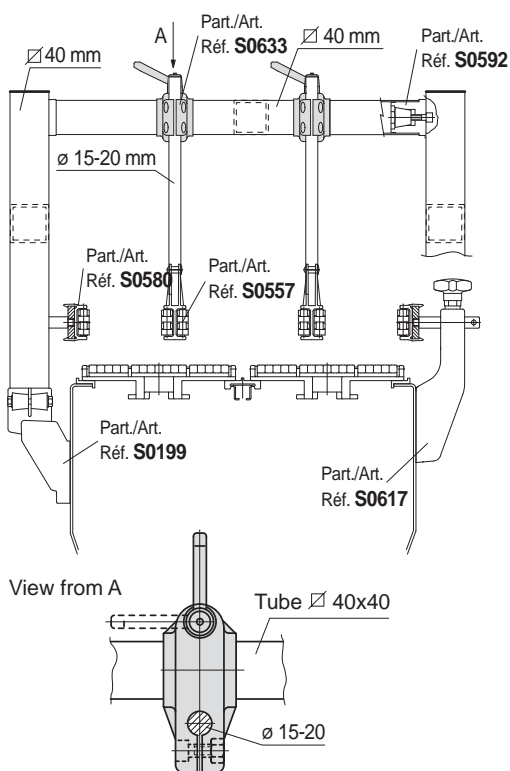
• Characteristics of Part. S0633

Easy and quick adjustment of guides supported by bridge structure.

• Use of Part. S0633 (for round tubes)



• Use of Part. SS0633 (for square tubes)



● Best Seller

● Standard

● On request: minimum quantity may apply. Consult our Customer Service for availability.

Item code for order = Part. + Code