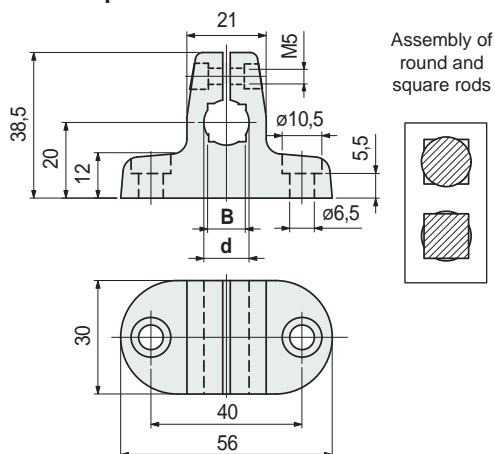


Part. S0339



T-clamp



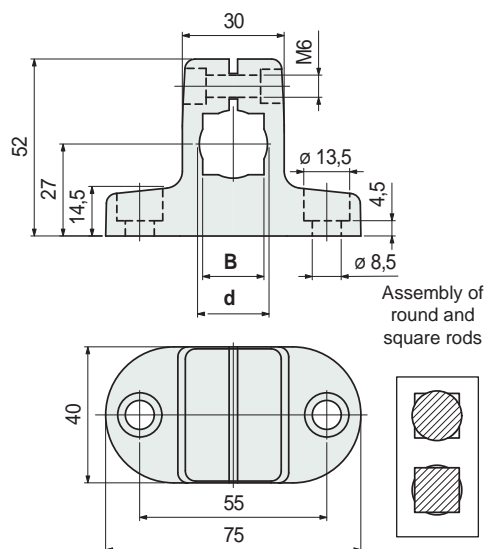
Tightening bolt material	Rod dia. d mm	Square rod B mm	Code	Weight kg
Austenitic stainless steel	10	8	68363	0,03
	12	10	68375	
	14	12	67365	
Zinc plated steel	10	8	626001	0,03
	12	10	627011	
	14	12	627021	

- Material: clamp in reinforced polyamide PA FV (black).
- Max. recommended tightening torque: 0,5 Kgm.
- Packaging: 50 pieces.

Part. S0595



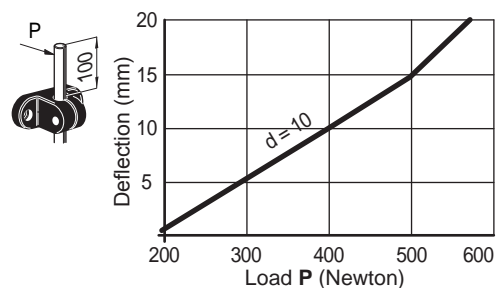
T-clamp



Tightening bolt material	Rod dia. d mm	Square rod B mm	Code	Weight kg
Austenitic stainless steel	16	14	610432	0,07
	18	16	610442	
	20	18	610452	
Zinc plated steel	16	14	610462	0,07
	18	16	610472	
	20	18	610482	

- Material: clamp in reinforced polyamide PA FV (black).
- Max recommended tightening torque: 1,5 Kgm.
- Packaging: 50 pieces.

Deflection of Part. S0339

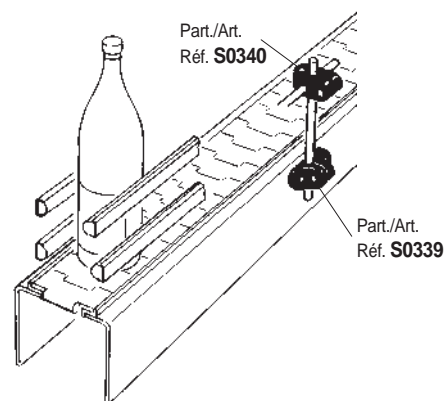


Technical data Part. S0339

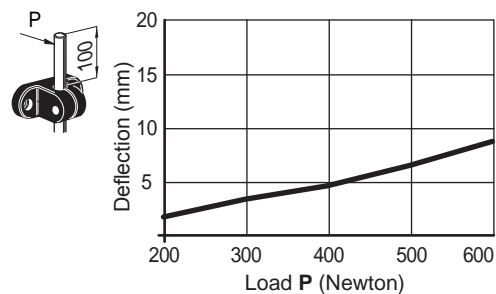
- sliding load: 650 N
- rotation load: 5 N/m
- Tests performed at tightening torque: 0,5 Kgm

Assembly of Part. S0339

Can be used in combination with Part. S0340



Deflection of Part. S0595

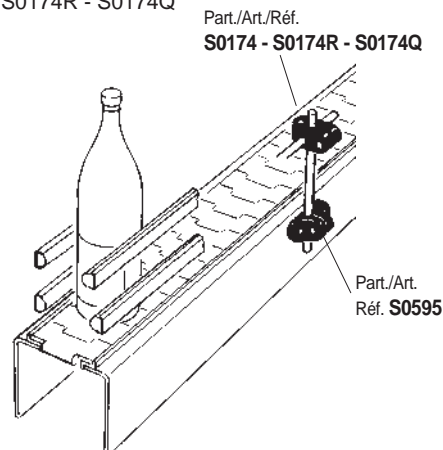


Technical data Part. S0595

- sliding load: 600 N (with d = 16)
- 500 N (with d = 18 - 20)
- Tests performed at tightening torque: 1,5 Kgm

Assembly of Part. S0595

Can be used in combination with Part. S0174 - S0174R - S0174Q



● Best Seller

● Standard

● On request: minimum quantity may apply. Consult our Customer Service for availability.

Item code for order = Part. + Code